

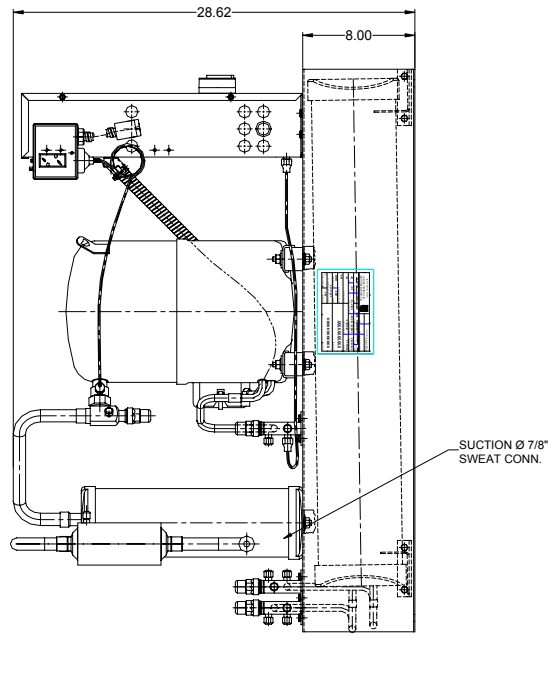
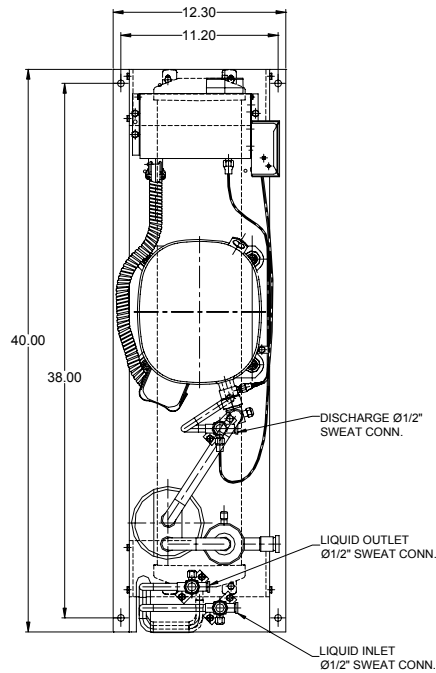
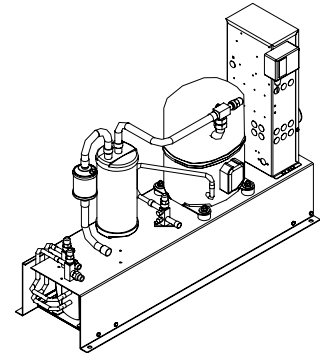


TECUMSEH HERMETIC CONDENSING UNIT



AGA4553EXNRL
TPC rev 01
July 13, 2004

Model AGA4553EXNRL
BOM 2R4052-2
Remote Condenser 4 1/2 HP
Application High Temp
Refrigerant R 22



Model	Dimensions (inch)			Line connections		Pumpdown	Oil Ch.	Gross weight
	L	W	H	Suction	Liquid In/Out	90% @ 90°F	Oz.	Lbs.
AGA4553EXNRL	40.00	12.25	28.62	7/8 Sweat	1/2 Sweat	38.50	65	340

Factory charge 20 psig dry air, **MUST BE EVACUATED**

Evaporator	Condensing Temperatures													
	95°F		100°F		110°F		115°F		120°F		130°F		140°F	
°F	BTUH	Watts	BTUH	Watts	BTUH	Watts	BTUH	Watts	BTUH	Watts	BTUH	Watts	BTUH	Watts
5	24334	3253	23089	3225	20603	3171	19364	3145	18128	3118	15663	3066	22210	3016
10	28238	3477	26793	3467	23906	3448	22465	3438	21025	3429	18151	3411	15286	3384
20	37904	3907	36069	3933	32398	3986	30562	4012	28725	4038	25052	4091	21381	4143
30	49985	4307	47773	4371	43341	4498	41123	4561	38902	4624	34456	4749	30003	4874
40	64403	4670	61826	4772	56661	4976	54072	5077	51480	5178	46285	5379	41076	5578
45	72465	4834	69710	4956	64187	5199	61418	5320	58645	5441	53085	5680	47508	5918
50	81082	4986	78154	5128	72279	5412	69333	5552	66382	5693	60463	5971	54524	6248
55	90246	5124	87147	5287	80927	5611	77807	5772	74681	5932	68410	6251	62115	6567

Performance @ 60 Hz, SuperHeat 20°F, --- SubCooling 15°F,

Parts/Specifications

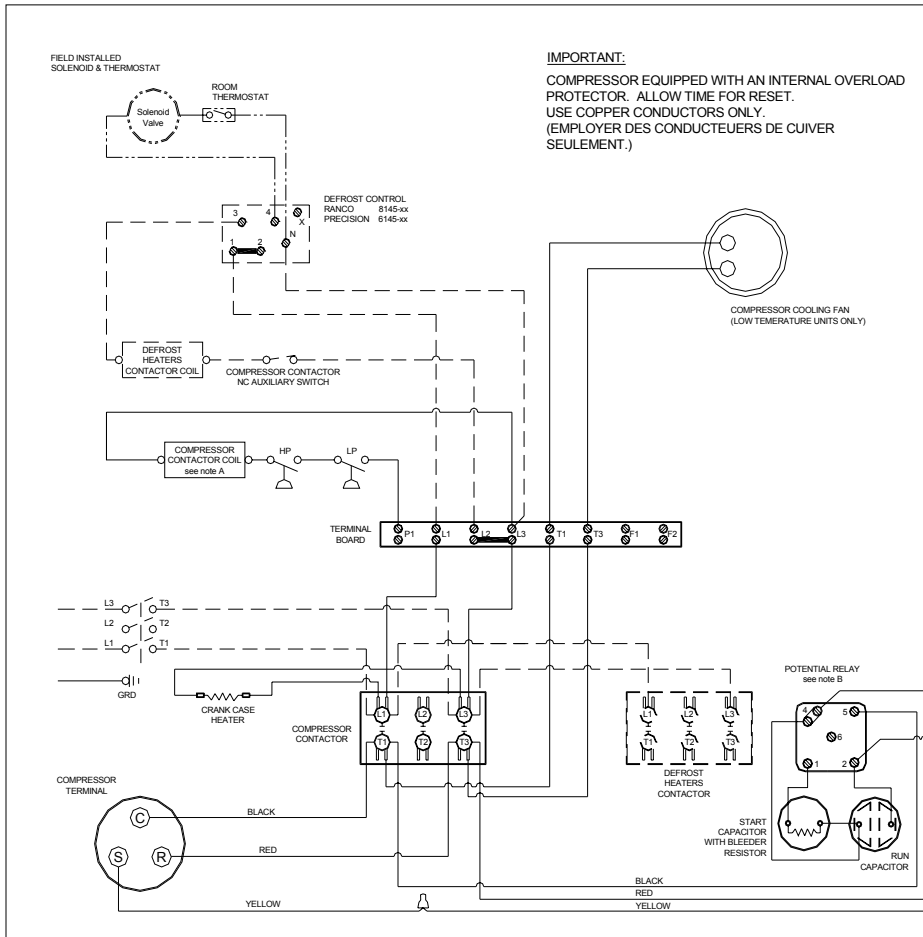
STANDARD		OPTIONAL	
Unit BOM	2R4052-2	Fan Motor	
Unit MODEL	AGA4553EXNRL	Fan Motor RLA	
		Fan Blade	
Refrigeration RANGE	+20F TO +55F		
Design Pressure Low	150	High Pressure switch	84095-1
Design Pressure High	450	Low Pressure Control	84026-D
Volts - HZ - Ph	208-230-60-1	Dual Pressure Control	
Voltage Range	253 - 197		
Min. Circuit Ampacity	34.3	Receiver	51083
Max. Fuse Size	60	Accumulator	TK00044000
		Receiver In Valve	56566
Compressor MODEL	AGA5553EXN	Receiver Out Valve	56566
Compressor BOM	AG122ET-003-A4	Discharge Valve	56566
Compressor LRA	132	Suction Valve	31529-1
Compressor RLA	27.2		
		Suction Filter (7/8)	70822-5S
OverLoad		CrankCase Heater	90699
Relay	820ARR3C30		
Run Capacitor	85PR440E65		
Run Capacitor Rating	45MFD 440V(M)VDE		
Start Capacitor	85PS330D16		
Start Capacitor Rating	130-156 MFD 330V		
Contactor	91014		
Unit Drawing	DGU1901-1R		
Wiring no Fan controls	WD21-RT2		

BOM INDEX DESCRIPTION

2Rxxxx- 2TnDS

- T1 Defrost timer option
- T2 Defrost timer & Defrost Heaters Contactor
- D Disconnect
- S Solenoid liquid Valve (supplied loose)

WARNING: Installer must validate that tubing is sized in such a manner to insure adequate oil return. Oil level may require adjustment for long pipe runs.



IMPORTANT:
 COMPRESSOR EQUIPPED WITH AN INTERNAL OVERLOAD PROTECTOR. ALLOW TIME FOR RESET. USE COPPER CONDUCTORS ONLY. (EMPLOYER DES CONDUCTEURS DE CUIVRE SEULEMENT.)

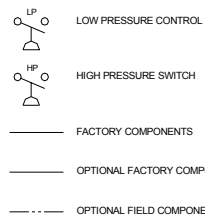
NOTES

FIELD WIRING NOTES

1. ALL FIELD WIRING MUST BE DONE IN COMPLIANCE WITH ALL APPLICABLE LOCAL AND NATIONAL CODES.
2. CONNECT INCOMING POWER LEADS FROM POWER SUPPLY TO L1, AND L3 IN COMPRESSOR CONTACTOR (L1 AND L2 IF TWO POLE CONTACTOR) OR TO L1 AND L3 IN DISCONNECT SWITCH (IF PROVIDED). USE COPPER CONDUCTORS ONLY. (EMPLOYER DES CONDUCTEURS DE CUIVRE SEULEMENT.) PROVIDE EQUIPMENT GROUNDING CONDUCTOR. USE 75°C (MIN.) WIRING.
3. PLACE JUMPER ACROSS P1 AND L1 IN TERMINAL BOARD IF NO OTHER CONTROLLING DEVICE IS INSTALLED.
4. DEFROST HEATERS LOADS SHOULD NOT BE HIGHER THEN THE MAXIMUM HEATERS LOAD INDICATED ON THE UNIT LABEL.

GENERAL NOTES:

- A. CONTACTOR COIL CIRCUIT IS FACTORY CONNECTED TO 230 V SOURCE IN PANEL AS SHOWN
- B. WITH ANY T.P.Co. APPROVED START RELAY USED, CONNECT LEADS TO SAME NUMBERED TERMINALS REGARDLESS OF LOCATION
- C. COMPRESSOR EQUIPPED WITH AN INTERNAL OVERLOAD PROTECTOR. ALLOW TIME FOR RESET.



CONDENSING UNIT WIRING, 230V 60Hz 1 Ph, REMOTE CONDENSER, T1 & T2 defrost options

A REVISION
 MAR 22 2004
WD21-RT2