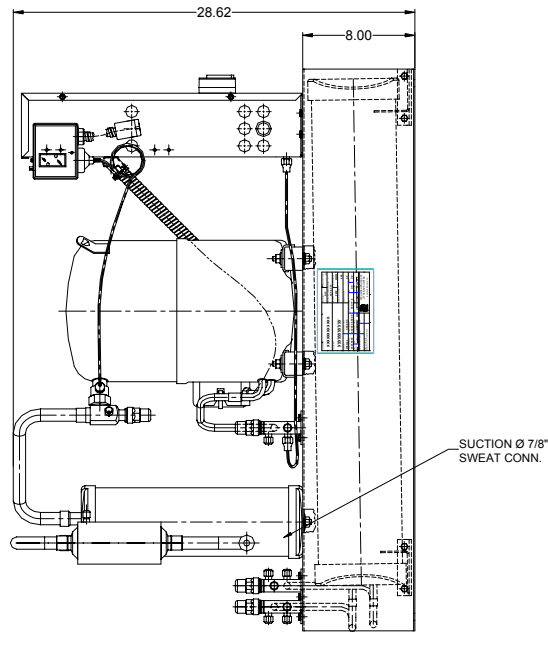
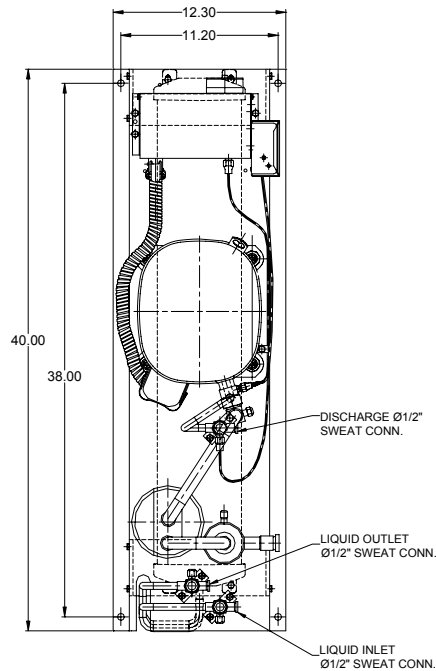
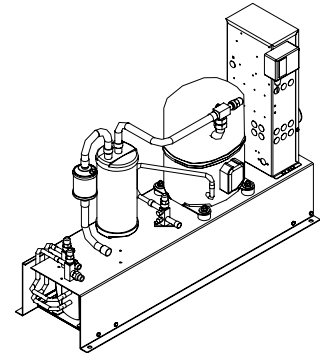




# TECUMSEH HERMETIC CONDENSING UNIT

AGA4561EXNRL  
TPC\_\_rev 01  
July 13, 2004

**Model** AGA4561EXNRL  
**BOM** 2R5058-2  
**Remote Condenser** 5 HP  
**Application** High Temp  
**Refrigerant** R 22



Model	Dimensions (inch)			Line connections		Pumpdown	Oil Ch.	Gross weight
	L	W	H	Suction	Liquid In/Out	90% @ 90°F	Oz.	Lbs.
<b>AGA4561EXNRL</b>	40.00	12.25	28.62	7/8 Sweat	1/2 Sweat	38.50	65	340

Factory charge 20 psig dry air, **MUST BE EVACUATED**

Evaporator	Condensing Temperatures													
	95°F		100°F		110°F		115°F		120°F		130°F		140°F	
°F	BTUH	Watts	BTUH	Watts	BTUH	Watts	BTUH	Watts	BTUH	Watts	BTUH	Watts	BTUH	Watts
5	27683	3750	26370	3736	23750	3710	22445	3697	21143	3685	18549	3661	<del>13969</del>	<del>3638</del>
10	31850	3978	30332	3982	27300	3992	25787	3997	24275	4002	21260	4012	<del>18254</del>	<del>4824</del>
20	42274	4436	40359	4477	36525	4559	34608	4600	32690	4641	28855	4723	25022	4805
30	55407	4888	53110	4967	48506	5125	46201	5204	43892	5282	39270	5438	34639	5593
40	71154	5327	68490	5446	63148	5682	60469	5799	57786	5916	52407	6149	47011	6380
<b>45</b>	<b>79977</b>	<b>5539</b>	<b>77137</b>	<b>5678</b>	<b>71437</b>	<b>5954</b>	<b>68578</b>	<b>6091</b>	<b>65713</b>	<b>6228</b>	<b>59967</b>	<b>6500</b>	<b>54200</b>	<b>6770</b>
50	89418	5744	86404	5903	80355	6220	77319	6378	74277	6535	68172	6847	62042	7157
55	99465	5942	96282	6122	89890	6481	86682	6659	83466	6836	77011	7189	70525	7540

Performance @ 60 Hz, SuperHeat 20°F, --- SubCooling 15°F

Parts/Specifications

STANDARD		OPTIONAL	
Unit BOM	2R5058-2	Fan Motor	
Unit MODEL	AGA4561EXNRL	Fan Motor RLA	
		Fan Blade	
Refrigeration RANGE	+20F TO +55F		
Design Pressure Low	150	High Pressure switch	84095-1
Design Pressure High	450	Low Pressure Control	84026-D
Volts - HZ - Ph	208-230-60-1	Dual Pressure Control	
Voltage Range	253 - 197		
Min. Circuit Ampacity	36.7	Receiver	51083
Max. Fuse Size	70	Accumulator	TK00044000
		Receiver In Valve	56566
Compressor MODEL	AGA5561EXN	Receiver Out Valve	56566
Compressor BOM	AG133ET-001-A4	Discharge Valve	56566
Compressor LRA	165	Suction Valve	31529-1
Compressor RLA	29.2		
		Suction Filter (7/8)	70822-5S
OverLoad			
Relay	820ARR3C30	CrankCase Heater	90699
Run Capacitor	85PR440E90		
Run Capacitor Rating	55MFD 440V(M)VDE		
Start Capacitor	85PS330D16		
Start Capacitor Rating	130-156 MFD 330V		
Contactor	91012		
Unit Drawing	DGU1901-1R		
Wiring no Fan controls	WD21-RT2		

BOM INDEX DESCRIPTION

2Rxxxx- 2TnDS

- T1 Defrost timer option
- T2 Defrost timer & Defrost Heaters Contactor
- D Disconnect
- S Solenoid liquid Valve (supplied loose)

**WARNING:** Installer must validate that tubing is sized in such a manner to insure adequate oil return. Oil level may require adjustment for long pipe runs.

