



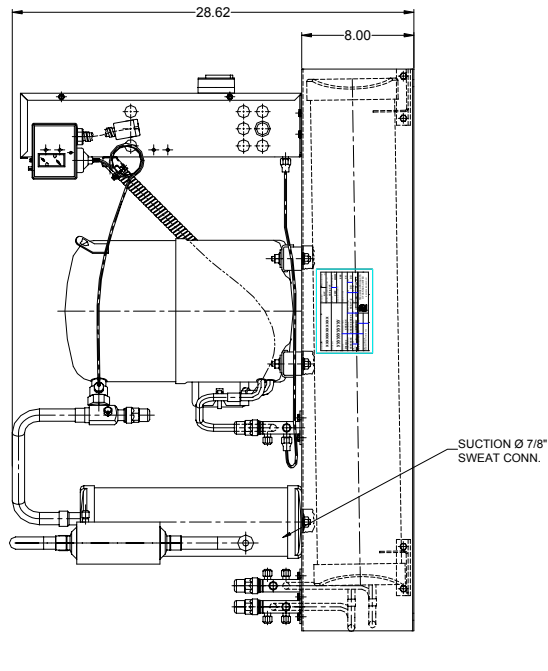
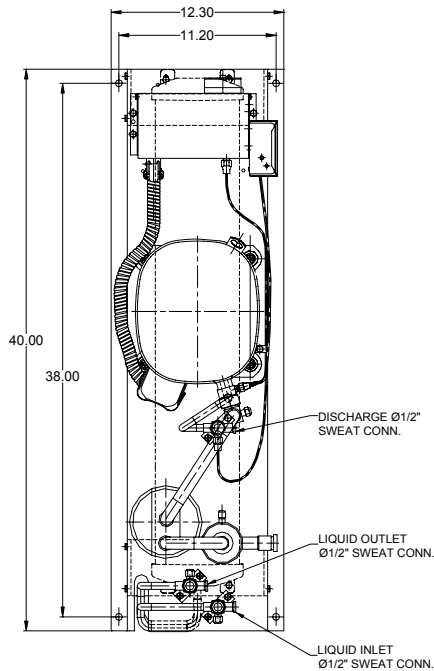
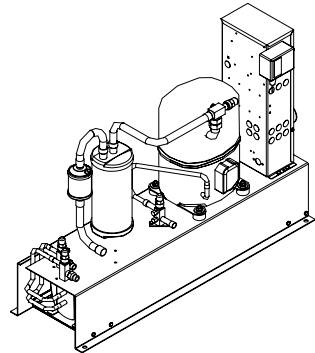
TECUMSEH HERMETIC CONDENSING UNIT



AGA4561EXTRL
TPC__rev 01
July 13, 2004

Model AGA4561EXTRL
BOM 2R5059-2

Remote Condenser 5 HP
Application High Temp
Refrigerant R 22



Model	Dimensions (inch)			Line connections		Pumpdown	Oil Ch.	Gross weight
	L	W	H	Suction	Liquid In/Out	90% @ 90°F	Oz.	Lbs.
AGA4561EXTRL	40.00	12.25	28.62	7/8 Sweat	1/2 Sweat	38.50	65	340

Factory charge 20 psig dry air, **MUST BE EVACUATED**

Evaporator	Condensing Temperatures													
	95°F		100°F		110°F		115°F		120°F		130°F		140°F	
°F	BTUH	Watts	BTUH	Watts	BTUH	Watts	BTUH	Watts	BTUH	Watts	BTUH	Watts	BTUH	Watts
5	27683	3635	26370	3622	23750	3596	22445	3584	21143	3571	18549	3548	13969	3523
10	31850	3856	30332	3860	27300	3869	25787	3874	24275	3878	21260	3888	18254	3889
20	42274	4299	40359	4339	36525	4419	34608	4458	32690	4498	28855	4577	25022	4657
30	55407	4737	53110	4814	48506	4967	46201	5043	43892	5119	39270	5270	34639	5421
40	71154	5162	68490	5277	63148	5506	60469	5620	57786	5734	52407	5959	47011	6184
45	79977	5367	77137	5502	71437	5770	68578	5903	65713	6036	59967	6300	54200	6562
50	89418	5566	86404	5721	80355	6029	77319	6181	74277	6334	68172	6637	62042	6937
55	99465	5758	96282	5933	89890	6281	86682	6454	83466	6626	77011	6968	70525	7308

Performance @ 60 Hz, SuperHeat 20°F, --- SubCooling 15°F

Parts/Specifications

STANDARD		OPTIONAL	
Unit BOM	2R5059-2	Fan Motor	
Unit MODEL	AGA4561EXTRL	Fan Motor RLA	
		Fan Blade	
Refrigeration RANGE	+20F TO +55F		
Design Pressure Low	150	High Pressure switch	84095-1
Design Pressure High	450	Low Pressure Control	84026-D
Volts - HZ - Ph	200-230-60-3	Dual Pressure Control	
Voltage Range	253 - 180		
Min. Circuit Ampacity	23.6	Receiver	51083
Max. Fuse Size	45	Accumulator	TK00044000
		Receiver In Valve	56566
Compressor MODEL	AGA5661EXT	Receiver Out Valve	56566
Compressor BOM	AG133RT-003-A4	Discharge Valve	56566
Compressor LRA	126	Suction Valve	31529-1
Compressor RLA	18.7		
		Suction Filter (7/8)	70822-5S
OverLoad			
Relay		CrankCase Heater	90699
Run Capacitor			
Run Capacitor Rating			
Start Capacitor			
Start Capacitor Rating			
Contactor	91014		
Unit Drawing	DGU1901-1R		
Wiring no Fan controls	WD23-RT2		

BOM INDEX DESCRIPTION

2Rxxxx-2TnDS

- T1 Defrost timer option
- T2 Defrost timer & Defrost Heaters Contactor
- D Disconnect
- S Solenoid liquid Valve (supplied loose)

WARNING: Installer must validate that tubing is sized in such a manner to insure adequate oil return. Oil level may require adjustment for long pipe runs.

