

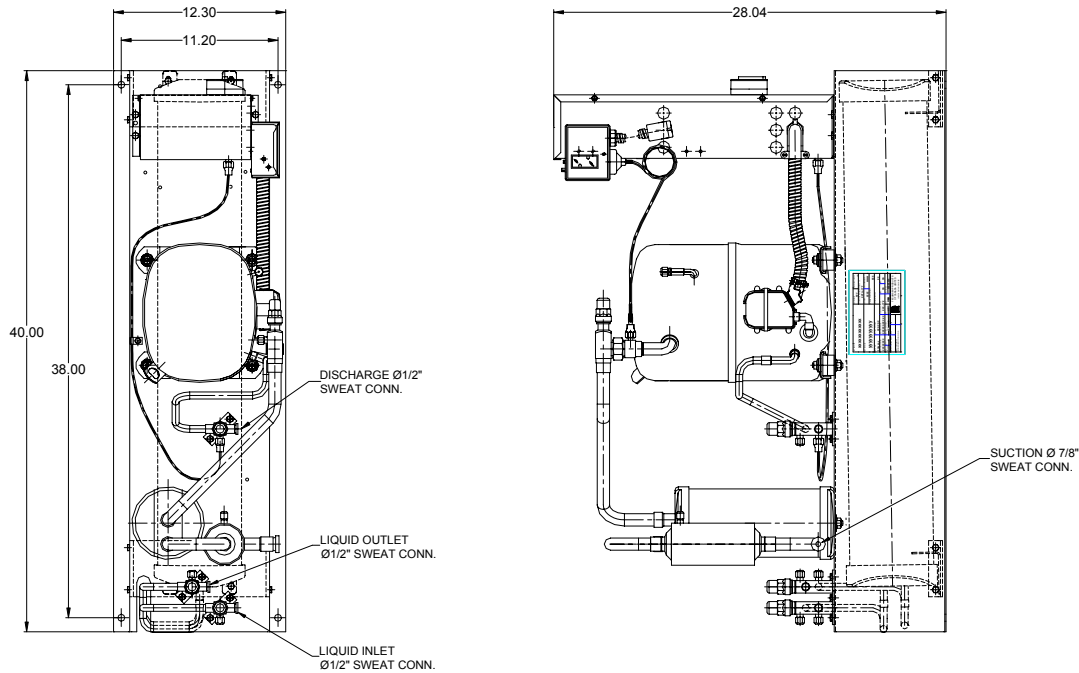
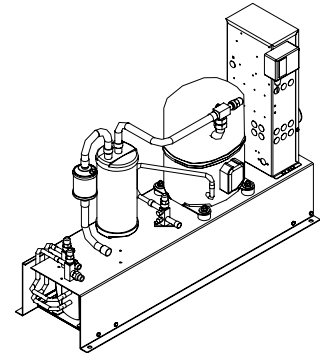


# TECUMSEH HERMETIC CONDENSING UNIT



AWG4524EXNRL  
TPC rev 01  
July 13, 2004

**Model** AWG4524EXNRL  
**BOM** 2R2103-2  
**Remote Condenser** 2 HP  
**Application** High Temp  
**Refrigerant** R 22



Model	Dimensions (inch)			Line connections		Pumpdown	Oil Ch.	Gross weight
	L	W	H	Suction	Liquid In/Out	90% @ 90°F	Oz.	Lbs.
AWG4524EXNRL	40.00	12.25	28.04	5/8 Sweat	1/2 Sweat	38.50	38	180

Factory charge 20 psig dry air, **MUST BE EVACUATED**

Evaporator	Condensing Temperatures													
	95°F		100°F		110°F		115°F		120°F		130°F		140°F	
°F	BTUH	Watts	BTUH	Watts	BTUH	Watts	BTUH	Watts	BTUH	Watts	BTUH	Watts	BTUH	Watts
5	11375	1495	10782	1508	9601	1534	9019	1545	8444	1554	7333	1562	<del>6288</del>	<del>1554</del>
10	13336	1580	12691	1601	11402	1643	10764	1662	10134	1678	8907	1704	7743	1713
20	17720	1723	16958	1760	15429	1834	14669	1869	13914	1903	12434	1962	11009	2005
30	22826	1832	21931	1886	20131	1993	19232	2045	18338	2096	16571	2189	14853	2269
40	28780	1910	27736	1980	25634	2122	24581	2191	23530	2260	21446	2390	19403	2506
<b>45</b>	<b>32116</b>	<b>1937</b>	<b>30991</b>	<b>2016</b>	<b>28726</b>	<b>2176</b>	<b>27589</b>	<b>2254</b>	<b>26455</b>	<b>2332</b>	<b>24200</b>	<b>2480</b>	<b>21983</b>	<b>2615</b>
50	35711	1958	34502	2046	32065	2223	30842	2311	29619	2398	27186	2565	24787	2719
55	39581	1972	38285	2069	35668	2264	34354	2362	33040	2458	30420	2644	27830	2817

Performance @ 60 Hz, SuperHeat 20°F, --- SubCooling 15°F, --- Ambient 95°F

Parts/Specifications

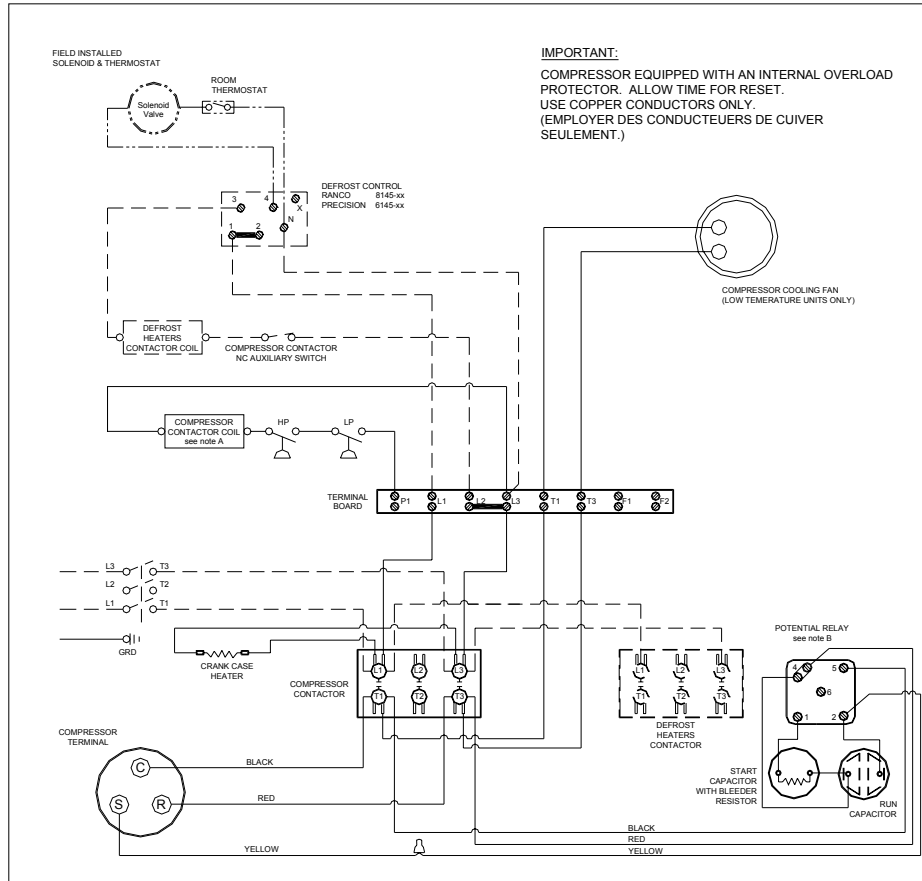
STANDARD		OPTIONAL	
Unit BOM	2R2103-2	Fan Motor	
Unit MODEL	AWG4524EXNRL	Fan Motor RLA	
		Fan Blade	
Refrigeration RANGE	+20F TO +55F		
Design Pressure Low	150	High Pressure switch	84095-1
Design Pressure High	450	Low Pressure Control	84026-D
Volts - HZ - Ph	208-230-60-1	Dual Pressure Control	
Voltage Range	253 - 197		
Min. Circuit Ampacity	14.9	Receiver	51083
Max. Fuse Size	25	Accumulator	TK00042000
		Receiver In Valve	56566
Compressor MODEL	AWG5524EXN	Receiver Out Valve	56566
Compressor BOM	AW705ET-099-A2	Discharge Valve	56566
Compressor LRA	60	Suction Valve	31531-1
Compressor RLA	11.7	Process Valve	31583-1
		Suction Filter (5/8)	70822-6S
OverLoad	Internal		
Relay	820ARR3J50	CrankCase Heater	91022-1
Run Capacitor	85PR370F17		
Run Capacitor Rating	35MFD 370V(M)VDE		
Start Capacitor	85PS330C24		
Start Capacitor Rating	88-108 MFD 330V		
Contactor	91014		
Unit Drawing	DGU1918-1R		
Wiring no Fan controls	WD21-RT2		

BOM INDEX DESCRIPTION

2Rxxxx-2TnDS

- T1 Defrost timer option
- T2 Defrost timer & Defrost Heaters Contactor
- D Disconnect
- S Solenoid liquid Valve (supplied loose)

**WARNING:** Installer must validate that tubing is sized in such a manner to insure adequate oil return. Oil level may require adjustment for long pipe runs.



**IMPORTANT:**  
 COMPRESSOR EQUIPPED WITH AN INTERNAL OVERLOAD PROTECTOR. ALLOW TIME FOR RESET. USE COPPER CONDUCTORS ONLY. (EMPLOYER DES CONDUCTEURS DE CUIVRE SEULEMENT.)

NOTES

FIELD WIRING NOTES

- ALL FIELD WIRING MUST BE DONE IN COMPLIANCE WITH ALL APPLICABLE LOCAL AND NATIONAL CODES.
- CONNECT INCOMING POWER LEADS FROM POWER SUPPLY TO L1, AND L3 IN COMPRESSOR CONTACTOR (L1 AND L2 IF TWO POLE CONTACTOR) OR TO L1 AND L3 IN DISCONNECT SWITCH (IF PROVIDED). USE COPPER CONDUCTORS ONLY. (EMPLOYER DES CONDUCTEURS DE CUIVRE SEULEMENT.) PROVIDE EQUIPMENT GROUNDING CONDUCTOR. USE 75°C (MIN.) WIRING.
- PLACE JUMPER ACROSS P1 AND L1 IN TERMINAL BOARD IF NO OTHER CONTROLLING DEVICE IS INSTALLED.
- DEFROST HEATERS LOADS SHOULD NOT BE HIGHER THEN THE MAXIMUM HEATERS LOAD INDICATED ON THE UNIT LABEL.

GENERAL NOTES:

- CONTACTOR COIL CIRCUIT IS FACTORY CONNECTED TO 230 V SOURCE IN PANEL AS SHOWN
- WITH ANY T.P.Co. APPROVED START RELAY USED, CONNECT LEADS TO SAME NUMBERED TERMINALS REGARDLESS OF LOCATION
- COMPRESSOR EQUIPPED WITH AN INTERNAL OVERLOAD PROTECTOR. ALLOW TIME FOR RESET.

LOW PRESSURE CONTROL

HIGH PRESSURE SWITCH

FACTORY COMPONENTS

OPTIONAL FACTORY COMPONENTS

OPTIONAL FIELD COMPONENTS

CONDENSING UNIT WIRING, 230V 60Hz 1 Ph, REMOTE CONDENSER, T1 & T2 defrost options

**A** **WD21-RT2**  
 REVISION MAR 22 2004