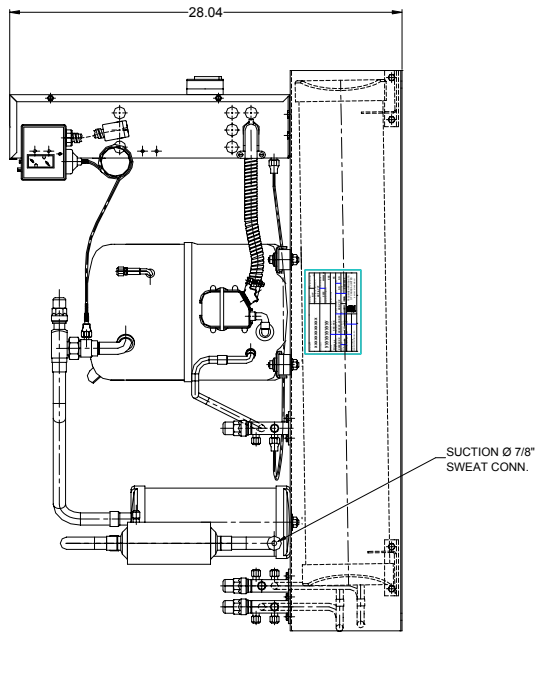
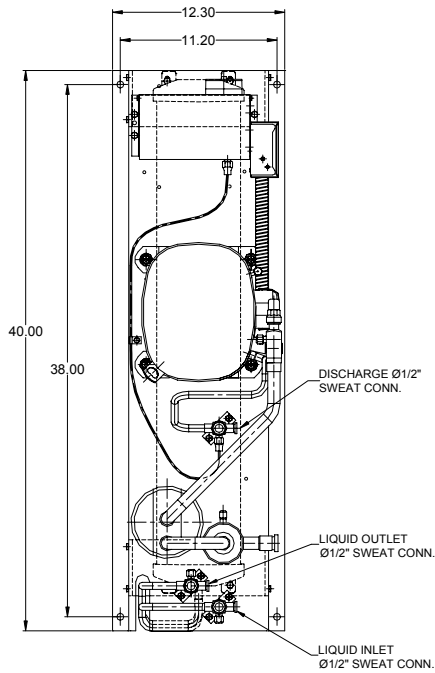
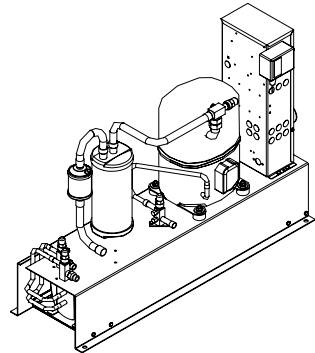




TECUMSEH HERMETIC CONDENSING UNIT

AVA2490ZXNRL
TPC__rev 01
July 13, 2004

Model AVA2490ZXNRL
BOM 2R2116-2
Remote Condenser 2 1/4 HP
Application Low Temp
Refrigerant R 404A



| Model | Dimensions (inch) | | | Line connections | | Pumpdown | Oil Ch. | Gross weight |
|---------------------|-------------------|-------|-------|------------------|---------------|------------|---------|--------------|
| | L | W | H | Suction | Liquid In/Out | 90% @ 90°F | Oz. | Lbs. |
| AVA2490ZXNRL | 40.00 | 12.25 | 28.04 | 7/8 Sweat | 1/2 Sweat | 33.50 | 54 | 220 |

Factory charge 20 psig dry air, **MUST BE EVACUATED**

| Evaporator | Condensing Temperatures | | | | | | | | | | | | | |
|------------|-------------------------|-------------|--------------|-------------|--------------|-------------|--------------|-------------|-------------|-------------|-------------|-------------|-------------|-------------|
| | 90°F | | 95°F | | 100°F | | 110°F | | 120°F | | 130°F | | 140°F | |
| °F | BTUH | Watts | BTUH | Watts | BTUH | Watts | BTUH | Watts | BTUH | Watts | BTUH | Watts | BTUH | Watts |
| -40 | 4609 | 1324 | 4343 | 1282 | 3988 | 1237 | 3108 | 1142 | 2162 | 1044 | 1343 | 94 | 844 | 855 |
| -30 | 7411 | 1762 | 7014 | 1725 | 6527 | 1685 | 5380 | 1601 | 4162 | 1512 | 3089 | 1424 | 2293 | 1341 |
| -20 | 10879 | 2230 | 10304 | 2202 | 9638 | 2172 | 8130 | 2104 | 6548 | 2033 | 5087 | 1961 | 3938 | 1894 |
| -15 | 12919 | 2467 | 12237 | 2444 | 11464 | 2419 | 9741 | 2363 | 7942 | 2303 | 6262 | 2242 | 4892 | 2186 |
| -10 | 15193 | 2699 | 14393 | 2684 | 13501 | 2665 | 11539 | 2623 | 9500 | 2575 | 7577 | 2527 | 5963 | 2483 |
| 0 | 20536 | 3138 | 19464 | 3139 | 18300 | 3137 | 15790 | 3125 | 13199 | 3109 | 10720 | 3092 | 8547 | 3078 |
| 5 | 23649 | 3337 | 22424 | 3347 | 21106 | 3354 | 18287 | 3361 | 15385 | 3363 | 12594 | 3364 | 10106 | 3368 |
| 10 | 27088 | 3517 | 25698 | 3537 | 24214 | 3554 | 21062 | 3582 | 17826 | 3604 | 14698 | 3624 | 11873 | 3648 |

Performance @ 60 Hz, ReturnGas 40°F, --- SubCooling 0°F

Parts/Specifications

| STANDARD | | OPTIONAL | |
|------------------------|------------------|-----------------------|---------------|
| Unit BOM | 2R2116-2 | Fan Motor | NUT6B09PUN201 |
| Unit MODEL | AVA2490ZXNRL | Fan Motor RLA | 0.35 |
| | | Fan Blade | 4VEA010 |
| Refrigeration RANGE | -40F TO +10F | | |
| Design Pressure Low | 181 | High Pressure switch | 84095-2 |
| Design Pressure High | 450 | Low Pressure Control | 84026-D |
| Volts - HZ - Ph | 208-230-60-1 | Dual Pressure Control | |
| Voltage Range | 253 - 197 | | |
| Min. Circuit Ampacity | 20.8 | Receiver | 51083 |
| Max. Fuse Size | 35 | Accumulator | TK00042000 |
| | | Receiver In Valve | 56566 |
| Compressor MODEL | AVA2490ZXN | Receiver Out Valve | 56566 |
| Compressor BOM | AV182ET-016-B2 | Discharge Valve | 56566 |
| Compressor LRA | 106.6 | Suction Valve | 31529-1 |
| Compressor RLA | 16.2 | | |
| | | Suction Filter (7/8) | 70822-5S |
| OverLoad | Internal | | |
| Relay | 820ARR3J56 | CrankCase Heater | 90699 |
| Run Capacitor | 85PR440E65 | | |
| Run Capacitor Rating | 45MFD 440V(M)VDE | | |
| Start Capacitor | 85PS330D17 | | |
| Start Capacitor Rating | 145-175 MFD 330V | | |
| Contactor | 91014 | | |
| | | | |
| Unit Drawing | DGU1920-1R | | |
| Wiring no Fan controls | WD21-RT2 | | |

BOM INDEX DESCRIPTION

2Rxxxx- 2TnDS

- T1 Defrost timer option
- T2 Defrost timer & Defrost Heaters Contactor
- D Disconnect
- S Solenoid liquid Valve (supplied loose)

WARNING: Installer must validate that tubing is sized in such a manner to insure adequate oil return. Oil level may require adjustment for long pipe runs.

