

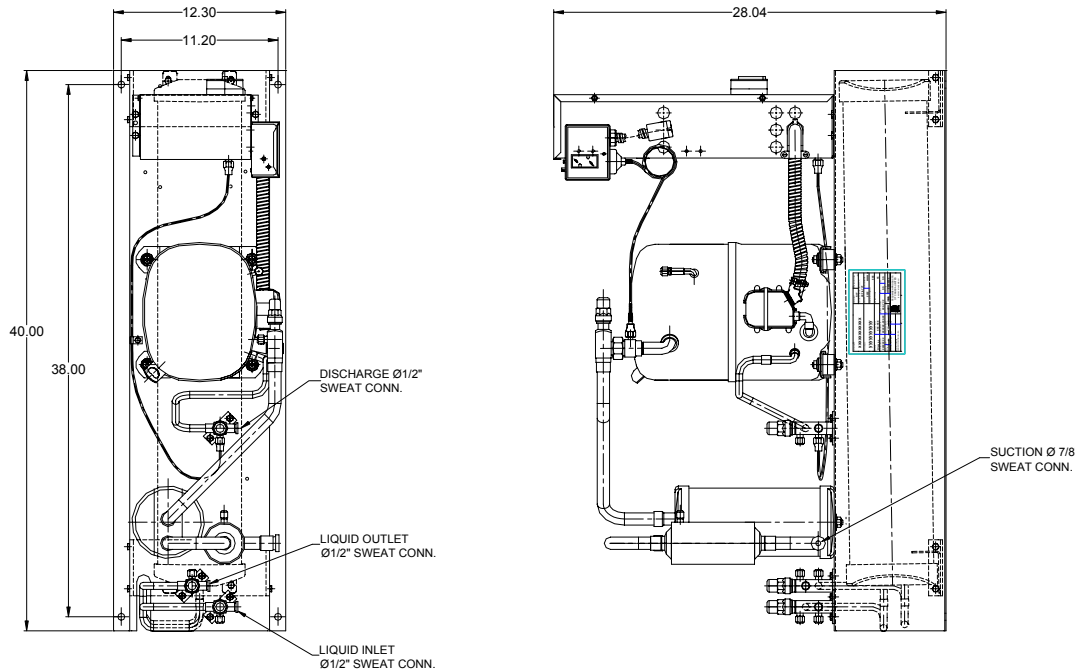
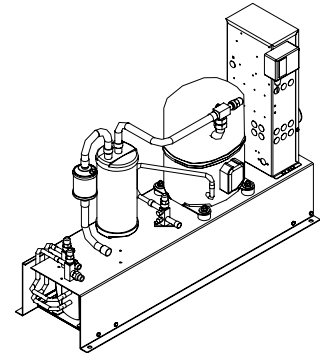


# TECUMSEH HERMETIC CONDENSING UNIT



AWA2440ZXDRL  
TPC\_\_rev 01  
July 13, 2004

**Model** AWA2440ZXDRL  
**BOM** 2R1118-2  
**Remote Condenser** 1 HP  
**Application** Low Temp  
**Refrigerant** R 404A



Model	Dimensions (inch)			Line connections		Pumpdown	Oil Ch.	Gross weight
	L	W	H	Suction	Liquid In/Out	90% @ 90°F	Oz.	Lbs.
<b>AWA2440ZXDRL</b>	40.00	12.25	28.04	5/8 Sweat	1/2 Sweat	33.50	38	180

Factory charge 20 psig dry air, **MUST BE EVACUATED**

Evaporator	Condensing Temperatures													
	90°F		95°F		100°F		110°F		120°F		130°F		140°F	
°F	BTUH	Watts	BTUH	Watts	BTUH	Watts	BTUH	Watts	BTUH	Watts	BTUH	Watts	BTUH	Watts
-40	1648	796	1486	749	1324	704	1004	609	691	498	389	350	100	155
-30	2947	894	2666	857	2386	824	1829	756	1278	876	739	569	219	429
-20	4704	1037	4301	1009	3898	984	3095	940	2298	889	1512	816	739	707
-15	5740	1122	5274	1097	4807	1076	3877	1042	2954	1003	2041	946	1142	855
<b>-10</b>	<b>6873</b>	<b>1212</b>	<b>6342</b>	<b>1190</b>	<b>5811</b>	<b>1173</b>	<b>4752</b>	<b>1147</b>	<b>3700</b>	<b>1120</b>	<b>2658</b>	<b>1077</b>	<b>1629</b>	<b>1003</b>
0	9403	1406	8740	1387	8076	1375	6753	1363	5436	1355	4128	1337	2834	1294
5	10789	1505	10057	1487	9326	1477	7867	1470	6413	1471	4970	1463	3539	1433
10	12247	1604	11446	1586	10646	1576	9048	1574	7456	1582	5874	1584	4305	1567

Performance @ 60 Hz, ReturnGas 40°F, --- SubCooling 0°F

Parts/Specifications

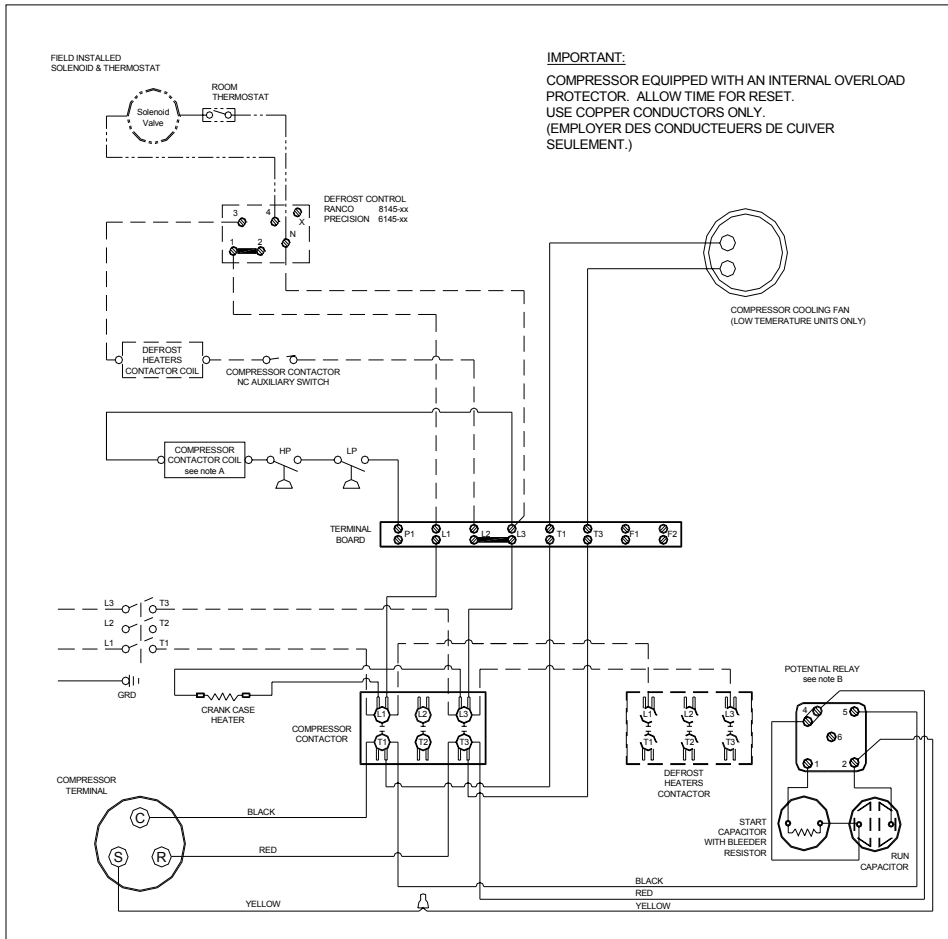
STANDARD		OPTIONAL	
Unit BOM	2R1118-2	Fan Motor	NUT6B09PUN201
Unit MODEL	AWA2440ZXDRL	Fan Motor RLA	0.35
		Fan Blade	4VEA010
Refrigeration RANGE	-40F TO +10F		
Design Pressure Low	181	High Pressure switch	84095-2
Design Pressure High	450	Low Pressure Control	84026-D
Volts - HZ - Ph	208-230-60-1	Dual Pressure Control	
Voltage Range	253 - 197		
Min. Circuit Ampacity	11.4	Receiver	51083
Max. Fuse Size	15	Accumulator	TK00042000
		Receiver In Valve	56566
Compressor MODEL	AWA2440ZXD	Receiver Out Valve	56566
Compressor BOM	AW610ET-111-A2	Discharge Valve	56566
Compressor LRA	73	Suction Valve	31531-1
Compressor RLA	8.7	Process Valve	
		Suction Filter (5/8)	70822-6S
OverLoad	Internal		
Relay	820ARR3J50	CrankCase Heater	91022-1
Run Capacitor	85PR370F17		
Run Capacitor Rating	35MFD 370V(M)VDE		
Start Capacitor	85PS330D17		
Start Capacitor Rating	145-175 MFD 330V		
Contactor	91014		
Unit Drawing	DGU1918-2R		
Wiring no Fan controls	WD21-RT2		

BOM INDEX DESCRIPTION

2Rxxxx- 2TnDS

- T1 Defrost timer option
- T2 Defrost timer & Defrost Heaters Contactor
- D Disconnect
- S Solenoid liquid Valve (supplied loose)

**WARNING:** Installer must validate that tubing is sized in such a manner to insure adequate oil return. Oil level may require adjustment for long pipe runs.



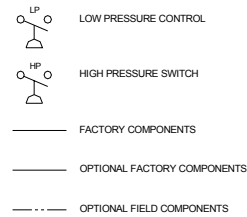
NOTES

FIELD WIRING NOTES

1. ALL FIELD WIRING MUST BE DONE IN COMPLIANCE WITH ALL APPLICABLE LOCAL AND NATIONAL CODES.
2. CONNECT INCOMING POWER LEADS FROM POWER SUPPLY TO L1, AND L3 IN COMPRESSOR CONTACTOR (L1 AND L2 IF TWO POLE CONTACTOR) OR TO L1 AND L3 IN DISCONNECT SWITCH (IF PROVIDED). USE COPPER CONDUCTORS ONLY. (EMPLOYER DES CONDUCTEURS DE CUIVRE SEULEMENT.) PROVIDE EQUIPMENT GROUNDING CONDUCTOR. USE 75°C (MIN.) WIRING.
3. PLACE JUMPER ACROSS P1 AND L1 IN TERMINAL BOARD IF NO OTHER CONTROLLING DEVICE IS INSTALLED.
4. DEFROST HEATERS LOADS SHOULD NOT BE HIGHER THEN THE MAXIMUM HEATERS LOAD INDICATED ON THE UNIT LABEL.

GENERAL NOTES:

- A. CONTACTOR COIL CIRCUIT IS FACTORY CONNECTED TO 230 V SOURCE IN PANEL AS SHOWN
- B. WITH ANY T.P.Co. APPROVED START RELAY USED, CONNECT LEADS TO SAME NUMBERED TERMINALS REGARDLESS OF LOCATION
- C. COMPRESSOR EQUIPPED WITH AN INTERNAL OVERLOAD PROTECTOR. ALLOW TIME FOR RESET.



CONDENSING UNIT WIRING, 230V 60Hz 1 Ph, REMOTE CONDENSER, T1 & T2 defrost options

**A** REVISION  
 MAR 22 2004  
**WD21-RT2**