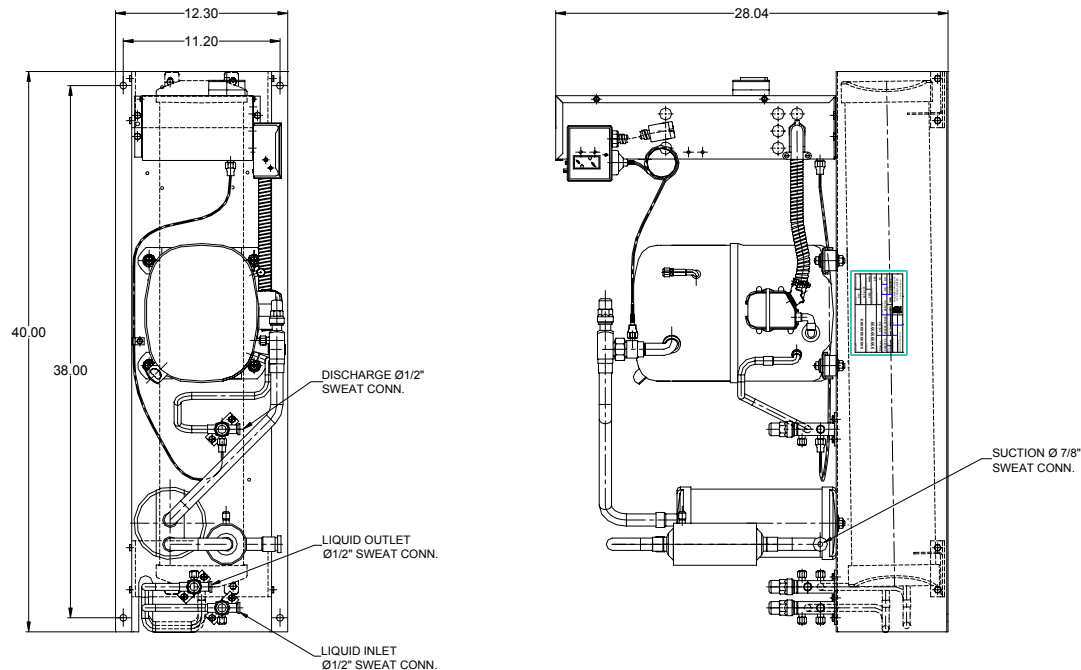
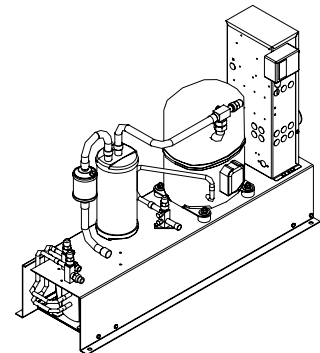




# TECUMSEH HERMETIC CONDENSING UNIT

AWA2460ZXDRL  
TPC\_\_rev 01  
July 13, 2004

**Model** AWA2460ZXDRL  
**BOM** 2R2114-2  
**Remote Condenser** 1 1/2 HP  
**Application** Low Temp  
**Refrigerant** R 404A



Model	Dimensions (inch)			Line connections		Pumpdown	Oil Ch.	Gross weight
	L	W	H	Suction	Liquid in/Out	90% @ 90°F	Oz.	Lbs.
<b>AWA2460ZXDRL</b>	40.00	12.25	28.04	5/8 Sweat	1/2 Sweat	33.50	38	180

Factory charge 20 psig dry air, **MUST BE EVACUATED**

Evaporator	Condensing Temperatures													
	90°F		95°F		100°F		110°F		120°F		130°F		140°F	
°F	BTUH	Watts	BTUH	Watts	BTUH	Watts	BTUH	Watts	BTUH	Watts	BTUH	Watts	BTUH	Watts
-40	2908	1065	2678	1005	2388	948	1703	832	998	706	419	559	112	380
-30	5106	1356	4729	1300	4291	1246	3300	1136	2279	1016	1376	874	736	700
-20	7788	1669	7263	1624	6673	1581	5374	1492	4036	1393	2806	1271	1829	1116
-15	9320	1823	8720	1786	8055	1751	6600	1678	5103	1595	3708	1489	2562	1349
<b>-10</b>	<b>10985</b>	<b>1969</b>	<b>10310</b>	<b>1942</b>	<b>9569</b>	<b>1917</b>	<b>7958</b>	<b>1864</b>	<b>6300</b>	<b>1800</b>	<b>4740</b>	<b>1713</b>	<b>3425</b>	<b>1593</b>
0	14730	2220	13904	2219	13009	2219	11085	2217	9104	2203	7212	2166	5554	2094
5	16818	2316	15917	2330	14944	2346	12862	2375	10718	2391	8659	2385	6830	2343
10	19056	2387	18078	2419	17028	2451	14787	2515	12480	2566	10253	2593	8251	2585

Performance @ 60 Hz, ReturnGas 40°F, --- SubCooling 0°F

Parts/Specifications

STANDARD		OPTIONAL	
Unit BOM	2R2114-2	Fan Motor	NUT6B09PUN201
Unit MODEL	AWA2460ZXDRL	Fan Motor RLA	0.35
		Fan Blade	4VEA010
Refrigeration RANGE	-40F TO +10F		
Design Pressure Low	181	High Pressure switch	84095-2
Design Pressure High	450	Low Pressure Control	84026-D
Volts - HZ - Ph	208-230-60-1	Dual Pressure Control	
Voltage Range	253 - 197		
Min. Circuit Ampacity	16.3	Receiver	51083
Max. Fuse Size	25	Accumulator	TK00042000
		Receiver In Valve	56566
Compressor MODEL	AWA2460ZXD	Receiver Out Valve	56566
Compressor BOM	AW613ET-111-A2	Discharge Valve	56566
Compressor LRA	86	Suction Valve	31531-1
Compressor RLA	12.6	Process Valve	
			70822-6S
OverLoad	Internal		
Relay	820ARR3J50	CrankCase Heater	91022-1
Run Capacitor	85PR370F21		
Run Capacitor Rating	45MFD 370V(M)VDE		
Start Capacitor	85PS330D17		
Start Capacitor Rating	145-175 MFD 330V		
Contactor	91014		
Unit Drawing	DGU1918-2R		
Wiring no Fan controls	WD21-RT2		

BOM INDEX DESCRIPTION

2Rxxxx- 2TnDS

- T1 Defrost timer option
- T2 Defrost timer & Defrost Heaters Contactor
- D Disconnect
- S Solenoid liquid Valve (supplied loose)

**WARNING:** Installer must validate that tubing is sized in such a manner to insure adequate oil return. Oil level may require adjustment for long pipe runs.

