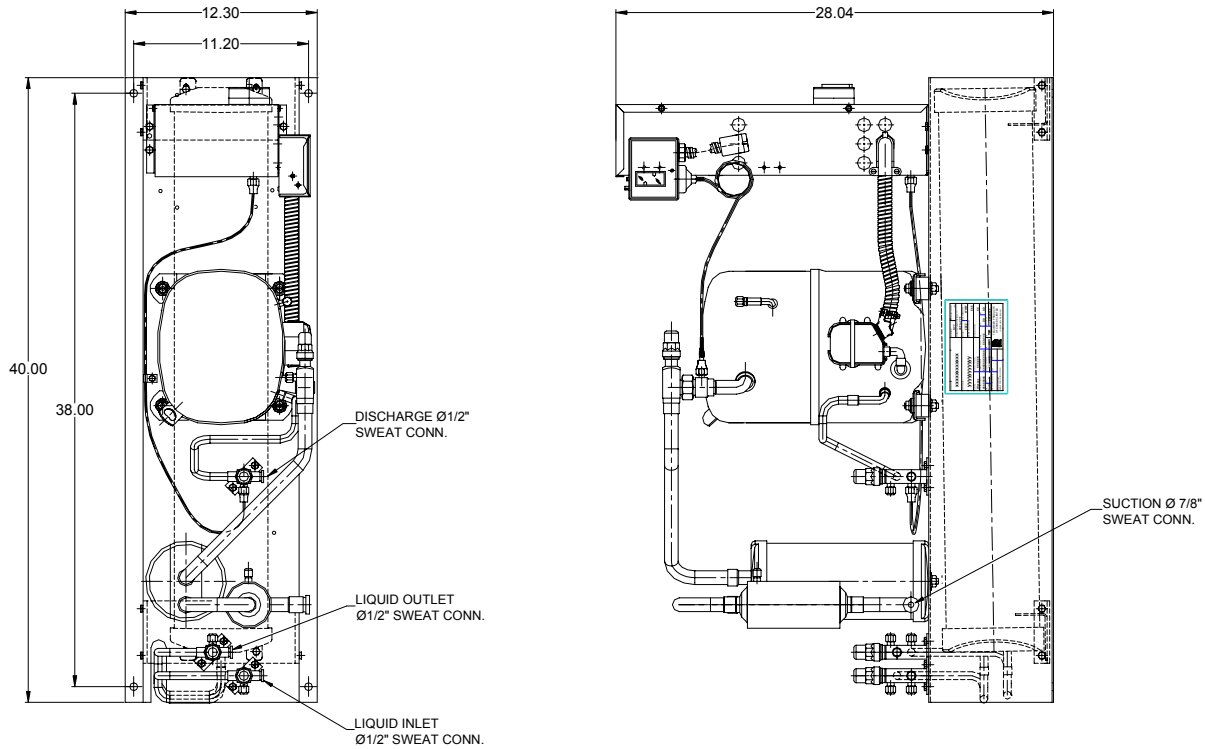
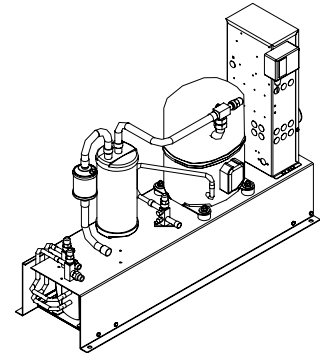




TECUMSEH HERMETIC CONDENSING UNIT

AWA2460ZXTRL
TPC__rev 01
July 13, 2004

Model AWA2460ZXTRL
BOM 2R2115-2
Remote Condenser 1 1/2 HP
Application Low Temp
Refrigerant R 404A



| Model | Dimensions (inch) | | | Line connections | | Pumpdown | Oil Ch. | Gross weight |
|---------------------|-------------------|-------|-------|------------------|---------------|------------|---------|--------------|
| | L | W | H | Suction | Liquid in/Out | 90% @ 90°F | Oz. | Lbs. |
| AWA2460ZXTRL | 40.00 | 12.25 | 28.04 | 5/8 Sweat | 1/2 Sweat | 33.50 | 38 | 180 |

Factory charge 20 psig dry air, **MUST BE EVACUATED**

| Evaporator | Condensing Temperatures | | | | | | | | | | | | | |
|------------|-------------------------|-------------|-------------|-------------|-------------|-------------|-------------|-------------|-------------|-------------|-------------|-------------|-------------|-------------|
| | 90°F | | 95°F | | 100°F | | 110°F | | 120°F | | 130°F | | 140°F | |
| °F | BTUH | Watts | BTUH | Watts | BTUH | Watts | BTUH | Watts | BTUH | Watts | BTUH | Watts | BTUH | Watts |
| -40 | 2769 | 964 | 2550 | 910 | 2275 | 858 | 1622 | 753 | 950 | 639 | 399 | 505 | 107 | 343 |
| -30 | 4863 | 1228 | 4504 | 1177 | 4086 | 1128 | 3142 | 1029 | 2171 | 920 | 1311 | 792 | 701 | 634 |
| -20 | 7417 | 1511 | 6917 | 1471 | 6355 | 1431 | 5118 | 1351 | 3844 | 1261 | 2672 | 1151 | 1742 | 1011 |
| -15 | 8876 | 1650 | 8305 | 1617 | 7671 | 1585 | 6286 | 1520 | 4859 | 1444 | 3531 | 1348 | 2440 | 1222 |
| -10 | 10462 | 1783 | 9819 | 1759 | 9113 | 1736 | 7579 | 1688 | 6000 | 1630 | 4514 | 1552 | 3262 | 1443 |
| 0 | 14029 | 2010 | 13242 | 2009 | 12390 | 2009 | 10557 | 2007 | 8670 | 1995 | 6868 | 1961 | 5290 | 1897 |
| 5 | 16017 | 2097 | 15158 | 2110 | 14233 | 2125 | 12250 | 2151 | 10208 | 2165 | 8246 | 2159 | 6504 | 2122 |
| 10 | 18148 | 2162 | 17216 | 2190 | 16217 | 2220 | 14083 | 2277 | 11886 | 2323 | 9764 | 2348 | 7858 | 2341 |

Performance @ 60 Hz, --- ReturnGas 40°F, --- SubCooling 0°F

Parts/Specifications

| STANDARD | | OPTIONAL | |
|------------------------|----------------|-----------------------|---------------|
| Unit BOM | 2R2115-2 | Fan Motor | NUT6B09PUN201 |
| Unit MODEL | AWA2460ZXTRL | Fan Motor RLA | 0.35 |
| | | Fan Blade | 4VEA010 |
| Refrigeration RANGE | -40F TO +10F | | |
| Design Pressure Low | 181 | High Pressure switch | 84095-2 |
| Design Pressure High | 450 | Low Pressure Control | 84026-D |
| Volts - HZ - Ph | 200-230-60-3 | Dual Pressure Control | |
| Voltage Range | 253 - 180 | | |
| Min. Circuit Ampacity | 11.0 | Receiver | 51083 |
| Max. Fuse Size | 20 | Accumulator | TK00042000 |
| | | Receiver In Valve | 56566 |
| Compressor MODEL | AWA2460ZXT | Receiver Out Valve | 56566 |
| Compressor BOM | AW613RT-121-A2 | Discharge Valve | 56566 |
| Compressor LRA | 63.4 | Suction Valve | 31531-1 |
| Compressor RLA | 8.3 | Process Valve | |
| | | Suction Filter (5/8) | 70822-6S |
| OverLoad | Internal | | |
| Relay | | CrankCase Heater | 91022-1 |
| Run Capacitor | | | |
| Run Capacitor Rating | | | |
| Start Capacitor | | | |
| Start Capacitor Rating | | | |
| Contactor | 91014 | | |
| | | | |
| Unit Drawing | DGU1918-2R | | |
| Wiring no Fan controls | WD23-RT2 | | |

BOM INDEX DESCRIPTION

2Rxxxx-2TnDS

- T1 Defrost timer option
- T2 Defrost timer & Defrost Heaters Contactor
- D Disconnect
- S Solenoid liquid Valve (supplied loose)

WARNING: Installer must validate that tubing is sized in such a manner to insure adequate oil return. Oil level may require adjustment for long pipe runs.

