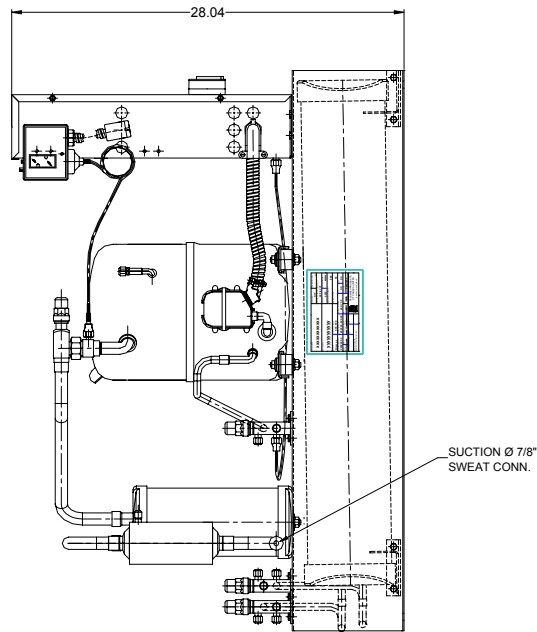
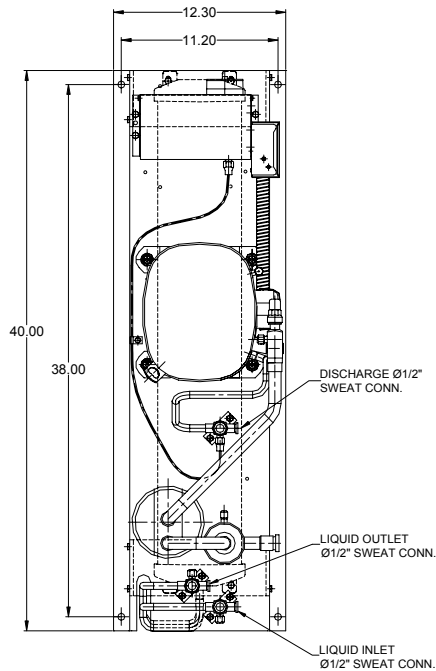
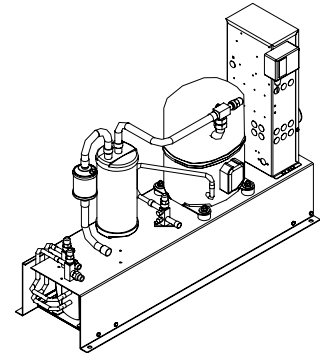




TECUMSEH HERMETIC CONDENSING UNIT

AWA7512ZXDRL
TPC__rev 01
July 13, 2004

Model AWA7512ZXDRL
BOM 2R3217-2
Remote Condenser 1 1/2 HP
Application Medium Temp
Refrigerant R 404A



| Model | Dimensions (inch) | | | Line connections | | Pumpdown | Oil Ch. | Gross weight |
|---------------------|-------------------|-------|-------|------------------|---------------|------------|---------|--------------|
| | L | W | H | Suction | Liquid In/Out | 90% @ 90°F | Oz. | Lbs. |
| AWA7512ZXDRL | 40.00 | 12.25 | 28.04 | 5/8 Sweat | 1/2 Sweat | 33.50 | 38 | 180 |

Factory charge 20 psig dry air, **MUST BE EVACUATED**

| Evaporator | Condensing Temperatures | | | | | | | | | | | | | |
|------------|-------------------------|-------------|--------------|-------------|--------------|-------------|--------------|-------------|--------------|-------------|-------------|-------------|-------------|-------------|
| | 90°F | | 95°F | | 100°F | | 110°F | | 120°F | | 130°F | | 140°F | |
| °F | BTUH | Watts | BTUH | Watts | BTUH | Watts | BTUH | Watts | BTUH | Watts | BTUH | Watts | BTUH | Watts |
| -10 | 7397 | 1363 | 6852 | 1349 | 6298 | 1336 | 5179 | 1312 | 4077 | 1282 | 3029 | 1234 | 2069 | 1159 |
| -5 | 8708 | 1456 | 8104 | 1445 | 7489 | 1436 | 6246 | 1420 | 5014 | 1398 | 3829 | 1358 | 2728 | 1293 |
| 0 | 10203 | 1552 | 9531 | 1546 | 8847 | 1541 | 7461 | 1534 | 6081 | 1521 | 4743 | 1492 | 3482 | 1437 |
| 5 | 11878 | 1648 | 11130 | 1646 | 10368 | 1647 | 8822 | 1651 | 7276 | 1649 | 5766 | 1631 | 4329 | 1588 |
| 10 | 13731 | 1740 | 12898 | 1744 | 12049 | 1751 | 10325 | 1767 | 8596 | 1777 | 6897 | 1772 | 5265 | 1742 |
| 15 | 15760 | 1825 | 14832 | 1835 | 13888 | 1849 | 11969 | 1878 | 10038 | 1902 | 8133 | 1911 | 6288 | 1896 |
| 20 | 17960 | 1898 | 16930 | 1916 | 15881 | 1937 | 13749 | 1981 | 11600 | 2020 | 9470 | 2045 | 7396 | 2045 |
| 30 | 22868 | 1999 | 21605 | 2033 | 20321 | 2070 | 17710 | 2147 | 15071 | 2221 | 12439 | 2281 | 9852 | 2318 |

Performance @ 60 Hz, ReturnGas 40°F, --- SubCooling 0°F

Parts/Specifications

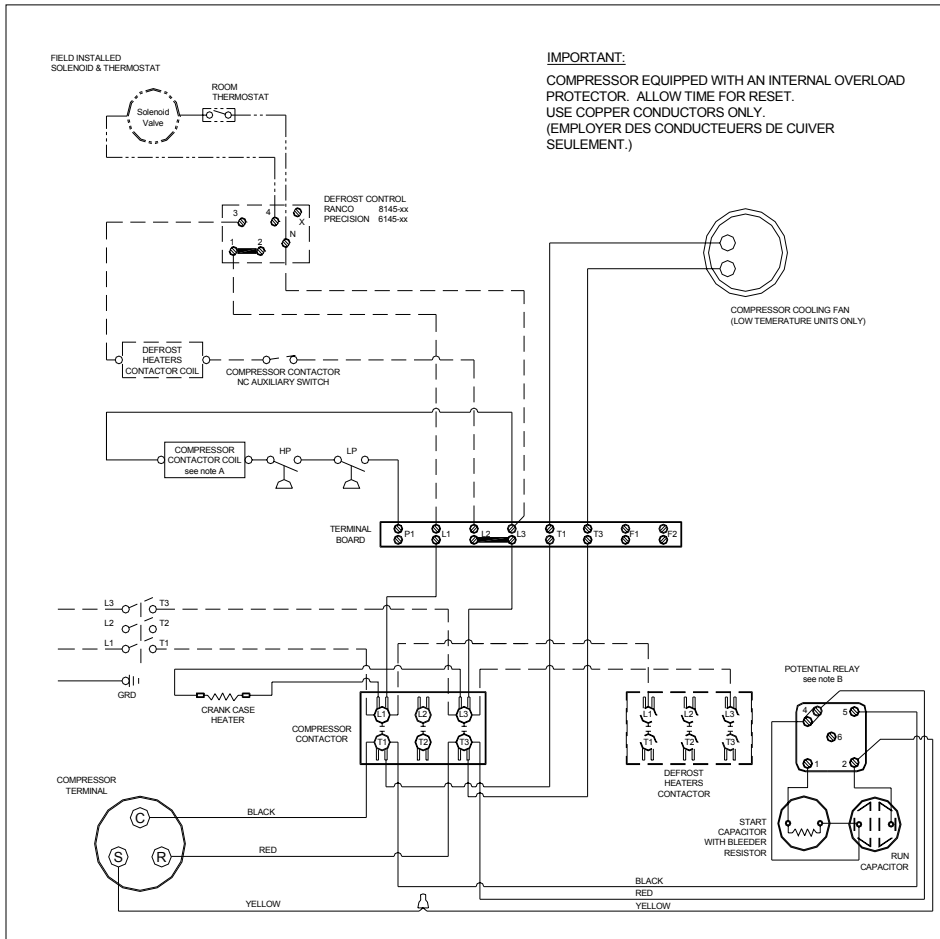
| STANDARD | | OPTIONAL | |
|------------------------|------------------|-----------------------|------------|
| Unit BOM | 2R3217-2 | Fan Motor | |
| Unit MODEL | AWA7512ZXDRL | Fan Motor RLA | |
| | | Fan Blade | |
| Refrigeration RANGE | -10F TO +30F | | |
| Design Pressure Low | 181 | High Pressure switch | 84095-2 |
| Design Pressure High | 450 | Low Pressure Control | 84026-D |
| Volts - HZ - Ph | 208-230-60-1 | Dual Pressure Control | |
| Voltage Range | 253 - 197 | | |
| Min. Circuit Ampacity | 16.2 | Receiver | 51083 |
| Max. Fuse Size | 30 | Accumulator | TK00042000 |
| | | Receiver In Valve | 56566 |
| Compressor MODEL | AWA7512ZXD | Receiver Out Valve | 56566 |
| Compressor BOM | AW611ET-111-A2 | Discharge Valve | 56566 |
| Compressor LRA | 73 | Suction Valve | 31531-1 |
| Compressor RLA | 12.8 | Process Valve | |
| | | Suction Filter (5/8) | 70822-6S |
| OverLoad | Internal | | |
| Relay | 820ARR3J50 | CrankCase Heater | 91022-1 |
| Run Capacitor | 85PR370F17 | | |
| Run Capacitor Rating | 35MFD 370V(M)VDE | | |
| Start Capacitor | 85PS330D16 | | |
| Start Capacitor Rating | 130-156 MFD 330V | | |
| Contactor | 91014 | | |
| | | | |
| Unit Drawing | DGU1918-3R | | |
| Wiring no Fan controls | WD21-RT2 | | |

BOM INDEX DESCRIPTION

2Rxxxx- 2TnDS

- T1 Defrost timer option
- T2 Defrost timer & Defrost Heaters Contactor
- D Disconnect
- S Solenoid liquid Valve (supplied loose)

WARNING: Installer must validate that tubing is sized in such a manner to insure adequate oil return. Oil level may require adjustment for long pipe runs.

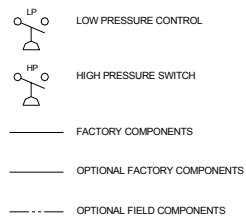


IMPORTANT:
 COMPRESSOR EQUIPPED WITH AN INTERNAL OVERLOAD PROTECTOR. ALLOW TIME FOR RESET.
 USE COPPER CONDUCTORS ONLY.
 (EMPLOYER DES CONDUCTEURS DE CUIVRE SEULEMENT.)

NOTES

- FIELD WIRING NOTES**
- ALL FIELD WIRING MUST BE DONE IN COMPLIANCE WITH ALL APPLICABLE LOCAL AND NATIONAL CODES.
 - CONNECT INCOMING POWER LEADS FROM POWER SUPPLY TO L1, AND L3 IN COMPRESSOR CONTACTOR (L1 AND L2 IF TWO POLE CONTACTOR) OR TO L1 AND L3 IN DISCONNECT SWITCH (IF PROVIDED). USE COPPER CONDUCTORS ONLY. (EMPLOYER DES CONDUCTEURS DE CUIVRE SEULEMENT.) PROVIDE EQUIPMENT GROUNDING CONDUCTOR. USE 75°C (MIN.) WIRING.
 - PLACE JUMPER ACROSS P1 AND L1 IN TERMINAL BOARD IF NO OTHER CONTROLLING DEVICE IS INSTALLED.
 - DEFROST HEATERS LOADS SHOULD NOT BE HIGHER THEN THE MAXIMUM HEATERS LOAD INDICATED ON THE UNIT LABEL.

- GENERAL NOTES:**
- CONTACTOR COIL CIRCUIT IS FACTORY CONNECTED TO 230 V SOURCE IN PANEL AS SHOWN
 - WITH ANY T.P.Co. APPROVED START RELAY USED, CONNECT LEADS TO SAME NUMBERED TERMINALS REGARDLESS OF LOCATION
 - COMPRESSOR EQUIPPED WITH AN INTERNAL OVERLOAD PROTECTOR. ALLOW TIME FOR RESET.



CONDENSING UNIT WIRING, 230V 60Hz 1 Ph, REMOTE CONDENSER, T1 & T2 defrost options

A REVISION
 DATE 22, 2004
WD21-RT2