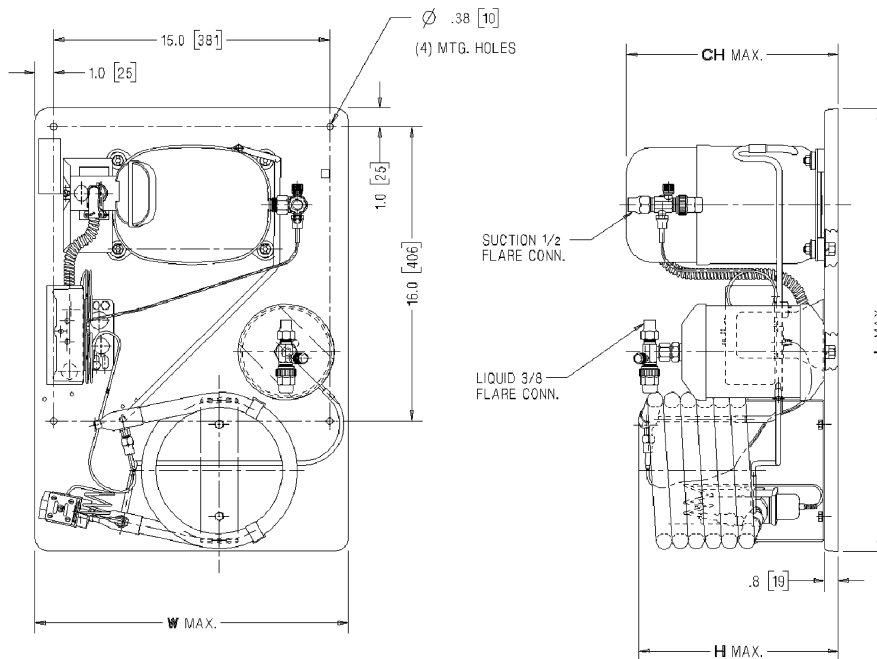
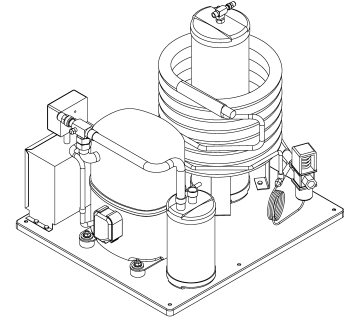


AJA7512ZXDXW
 TPC__rev 02
 October 22, 2003

TECUMSEH HERMETIC CONDENSING UNIT

Model AJA7512ZXDXW
BOM 2B3210-1
Water Cooled 1 1/2 HP
Application Medium Temp
Refrigerant R 404A



NOTE:
 DIMENSIONING = INCHES [MILLIMETERS]

Model	Dimensions, inches				Line connection*		Pumdown	Oil Ch	Gr. Wt
	L	W	H	CH	Suction	Liquid	90° 90%	Oz.	Lbs.
AJA7512ZXDXW	24.0	17.0	10.9	12.0	1/2"F	3/8"F	4.0	22.0	121.0

*) Use 3/8" min. pipe size. Water inlet 3/8" NPT

Performance: Ambient 90 °F -- Return Gas 40 °F -- Condenser water in 75 °F -- Head 254 PSIG

Evaporator temperature °F	-10	-5	0	10	20	30
Capacity BTU/HR	5000	5936	6958	9223	11728	14408
Water Usage gpm	0.81	0.98	1.2	1.7	1.87	2.1
Watts	1187	1296	1399	1588	1763	1936

The water valve should be adjusted to maintain a maximum of 95°F water outlet temperature in order to minimize water scaling within the condenser.

Parts/Specifications			
Unit BOM	2B3210-1	OverLoad	INTERNAL
Unit MODEL	AJA7512ZXDXW	Relay	820ARR3C71
		Run Capacitor	85PR370F20
Refrigeration RANGE	-10F TO +30F	Run Capacitor Rating	25MFD 370V
Design Pressure Low	181	Start Capacitor	85PS250B87
Design Pressure High	450	Start Capacitor Rating	216-259 MFD 250V
Volts - HZ - Ph	208-230-60-1	CrankCase Heater	
Min. Circuit Ampacity	11.5	High Pressure switch	
Max. Fuse Size	20	Low Pressure Control	
		Dual Pressure Control	84087-2
Compressor MODEL	AJA7494ZXD	Contactors	
Compressor BOM	AJ202ET-188-A2	Condenser	50827
Compressor LRA	54	Water Valve	56516
Compressor RLA	9.2	Liquid Valve	31547-8
		Suction Valve	31585
Unit Drawing	DGU1875-6	Receiver	51081
Electrical Drawing	90657-12	Accumulator	

