



# TECUMSEH HERMETIC CONDENSING UNIT



AKB9479EXDXW

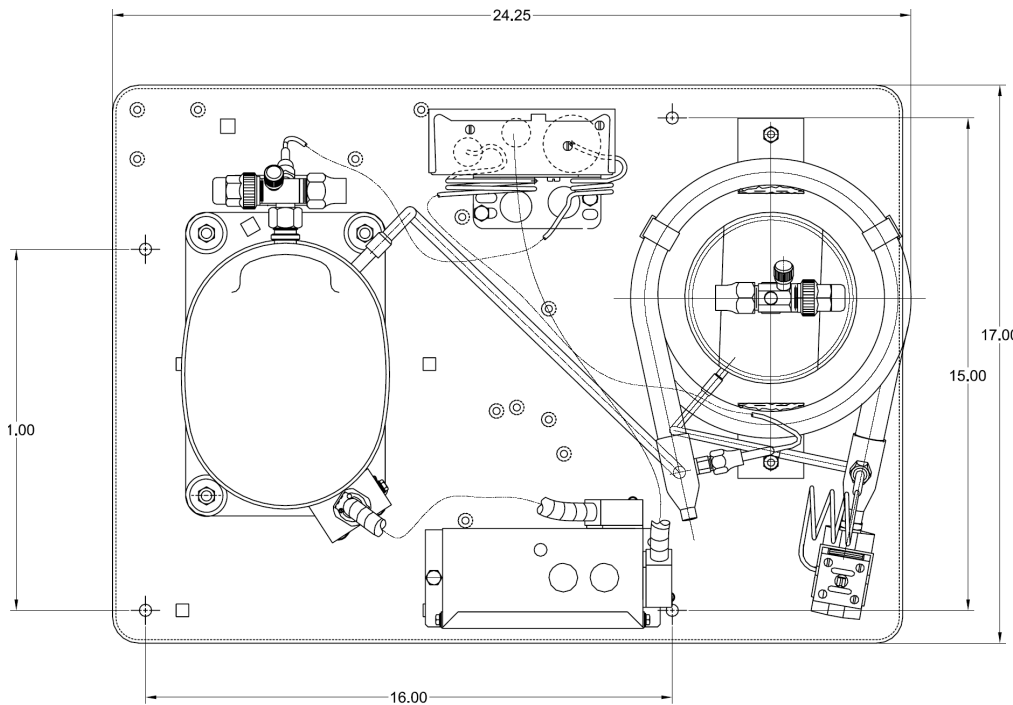
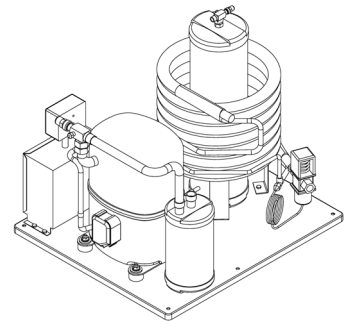
TPC\_\_rev 01

July 26, 2004

**Model**                    **AKB9479EXDXW**  
**BOM**                      **2W746-1**

---

**Water Cooled**   **3/4 HP**  
**Application**       **Commercial Temp**  
**Refrigerant**       **R 22**



Model	Dimensions, inches				Line connection*		Pumdown	Oil Ch	Gr. Wt
	L	W	H	CH	Suction	Liquid	90° 90%	Oz.	Lbs.
AKB9479EXDXW	24.2	17.0	11.8	10.1	1/2"F	3/8"S	5.9	15.0	82.0

\*) Use 3/8" min. pipe size. Water inlet 3/8" NPT

Performance: Ambient 90 °F -- Return Gas 65 °F -- Condenser water in 75 °F -- Head 210 PSIG

Evaporator temperature °F	-10	0	10	20	30	40
Capacity BTU/HR	1406	3409	5641	7806	10108	12746
Water Usage gpm	0.30	0.50	0.80	1.10	1.50	1.90
Watts	730	790	930	1006	1084	1154

The water valve should be adjusted to maintain a maximum of 95°F water outlet temperature in order to minimize water scaling within the condenser.

Parts/Specifications			
Unit BOM	2W746-1	OverLoad	8300MRAG29
Unit MODEL	AKB9479EXDXW	Relay	820ARR3C29
Refrigeration RANGE	-10F TO +40F	Run Capacitor	85PR370E36
Design Pressure Low	150	Run Capacitor Rating	15MFD 370V(M)
Design Pressure High	450	Start Capacitor	85685
Volts - HZ - Ph	208-230-60-1	Start Capacitor Rating	72-88 MFD330V
Min. Circuit Ampacity	6.9	CrankCase Heater	
Max. Fuse Size	15	High Pressure switch	
Compressor MODEL	AKA9462EXD	Low Pressure Control	
Compressor BOM	AK166ET-038-A2	Dual Pressure Control	84066-2
Compressor LRA	31	Contactors	
Compressor RLA	5.5	Condenser	50812-1
Unit Drawing	DGU1909-41W	Water Valve	56516
Electrical Drawing	90999-1	Liquid Valve	31581-1
		Suction Valve	31579-1
		Receiver	51081
		Accumulator	

