



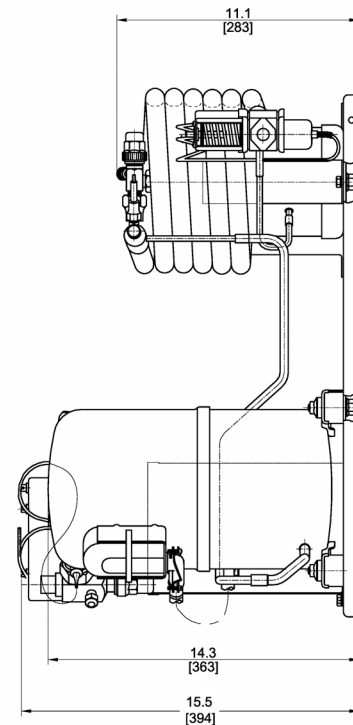
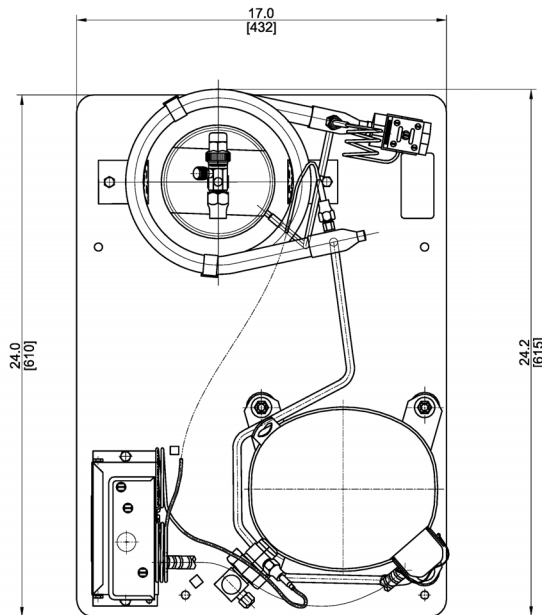
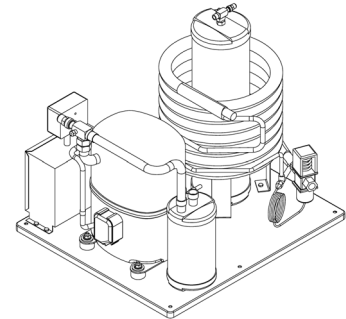
# TECUMSEH HERMETIC CONDENSING UNIT

AWG9513EXNXW  
TPC rev 02  
October 31, 2003

**Model**                    **AWG9513EXNXW**  
**BOM**                       **2B3227-1**

---

**Water Cooled**   **1 1/2 HP**  
**Application**       **Commercial Temp**  
**Refrigerant**       **R 22**



Model	Dimensions, inches				Line connection*		Pumdown	Oil Ch	Gr. Wt
	L	W	H	CH	Suction	Liquid	90° 90%	Oz.	Lbs.
AWG9513EXNXW	24.3	17.0	15.5	14.3	7/8"S	3/8"F	6.6	38.0	129.0

\*) Use 3/8" min. pipe size. Water inlet 3/8" NPT

Performance: Ambient 90 °F -- Return Gas 40 °F -- Condenser water in 75 °F -- Head 210 PSIG

Evaporator temperature °F	0	10	20	30	40	55
Capacity BTU/HR	6749	9613	12996	17004	21743	30471
Water Usage gpm	1.4	1.9	2.6	3.4	4.4	6.1
Watts	1191	1350	1494	1616	1710	1782

The water valve should be adjusted to maintain a maximum of 95°F water outlet temperature in order to minimize water scaling within the condenser.

Parts/Specifications			
Unit BOM	2B3227-1	OverLoad	internal
Unit MODEL	AWG9513EXNXW	Relay	820ARR3H23
		Run Capacitor	85PR370F20
Refrigeration RANGE	-10F TO +40F	Run Capacitor Rating	25MFD 370V
Design Pressure Low	150	Start Capacitor	85PS330D17
Design Pressure High	450	Start Capacitor Rating	145-175 MFD 330V
Volts - HZ - Ph	208-230-60-1	CrankCase Heater	91022-1
Min. Circuit Ampacity	12.1	High Pressure switch	
Max. Fuse Size	20	Low Pressure Control	
		Dual Pressure Control	84066-2
Compressor MODEL	AWG4520EXN	Contactor	
Compressor BOM	AW703FT-111-A2	Condenser	50827-1
Compressor LRA	52	Water Valve	56516
Compressor RLA	9.5	Liquid Valve	31555-1
		Suction Valve	31531-1
Unit Drawing	DGU1918-7	Receiver	51081
Electrical Drawing	91028-5	Accumulator	

