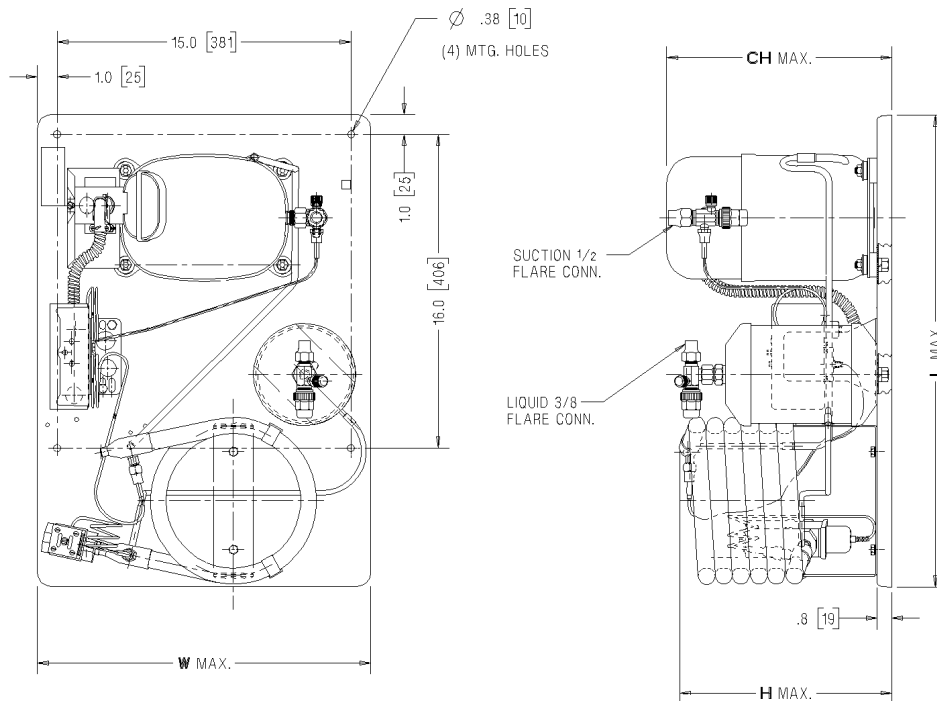
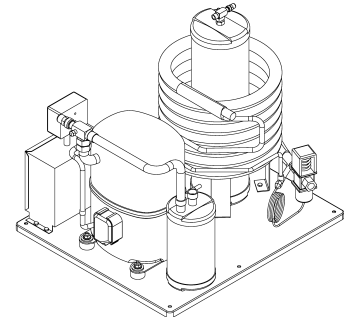


# TECUMSEH HERMETIC CONDENSING UNIT



AJA4510YXDXW  
TPC rev 02  
October 22, 2003

**Model** AJA4510YXDXW  
**BOM** 2B780-1  
**Water Cooled** 3/4 HP  
**Application** High Temp  
**Refrigerant** R 134a



NOTE:  
DIMENSIONING = INCHES [MILLIMETERS]

Model	Dimensions, inches				Line connection*		Pumdown	Oil Ch	Gr. Wt
	L	W	H	CH	Suction	Liquid	90° 90%	Oz.	Lbs.
AJA4510YXDXW	24.0	17.0	10.9	12.0	1/2"F	3/8"F	6.5	22.0	94.0

\*) Use 3/8" min. pipe size. Water inlet 3/8" NPT

Performance: Ambient 90 °F -- Return Gas 65 °F -- Condenser water in 75 °F -- Head 135 PSIG

Evaporator temperature °F	20	25	30	40	45	50
Capacity BTU/HR	5400	6200	7000	9000	10200	11400
Water Usage gpm	0.83	0.86	0.90	1.10	1.30	1.50
Watts	820	870	920	1000	1060	1120

The water valve should be adjusted to maintain a maximum of 95°F water outlet temperature in order to minimize water scaling within the condenser.

Parts/Specifications			
Unit BOM	2B780-1	OverLoad	8300MRAH24
Unit MODEL	AJA4510YDXW	Relay	820ARR2B19
		Run Capacitor	
Refrigeration RANGE	+20F TO +55F	Run Capacitor Rating	
Design Pressure Low	150	Start Capacitor	85PS250A42
Design Pressure High	235	Start Capacitor Rating	88 - 108 MFD 250 V
Volts - HZ - Ph	208-230-60-1	CrankCase Heater	
Min. Circuit Ampacity	8.8	High Pressure switch	
Max. Fuse Size	15	Low Pressure Control	
		Dual Pressure Control	84056-2
Compressor MODEL	AJA4492YXD	Contactor	
Compressor BOM	AJ150GT-193-A2	Condenser	50827
Compressor LRA	41.8	Water Valve	56516
Compressor RLA	7.0	Liquid Valve	31547-8
		Suction Valve	31585
Unit Drawing	DGU1875-6	Receiver	51081
Electrical Drawing	90432-5	Accumulator	

