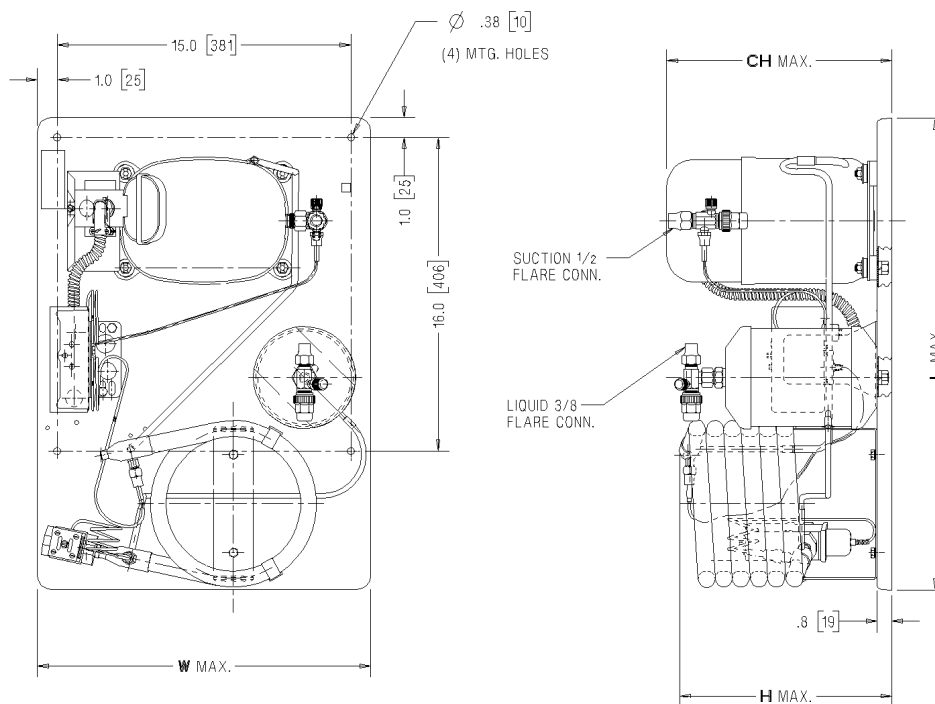
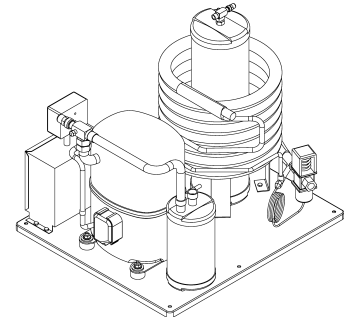


TECUMSEH HERMETIC CONDENSING UNIT



AJA4514YXDXW
TPC rev 02
October 21, 2003

Model AJA4514YXDXW
BOM 2B1104-1
Water Cooled 1 HP
Application High Temp
Refrigerant R 134a



NOTE:
DIMENSIONING = INCHES [MILLIMETERS]

Model	Dimensions, inches				Line connection*		Pumdown	Oil Ch	Gr. Wt
	L	W	H	CH	Suction	Liquid	90° 90%	Oz.	Lbs.
AJA4514YXDXW	24.0	17.0	10.9	12.0	1/2"F	3/8"F	6.5	22.0	94.0

*) Use 3/8" min. pipe size. Water inlet 3/8" NPT

Performance: Ambient 90 °F -- Return Gas 65 °F -- Condenser water in 75 °F -- Head 135 PSIG

Evaporator temperature °F	20	25	30	40	45	50
Capacity BTU/HR	7500	8550	9500	12500	14000	15500
Water Usage gpm	0.98	1.10	1.20	1.70	2.00	2.60
Watts	1060	1120	1180	1300	1340	1420

The water valve should be adjusted to maintain a maximum of 95°F water outlet temperature in order to minimize water scaling within the condenser.

Parts/Specifications			
Unit BOM	2B1104-1	OverLoad	8300MRTJ79
Unit MODEL	AJA4514YDXW	Relay	820ARR3B91
		Run Capacitor	85PR370E36
Refrigeration RANGE	+20F TO +55F	Run Capacitor Rating	15MFD 370V
Design Pressure Low	150	Start Capacitor	85PS330C24
Design Pressure High	235	Start Capacitor Rating	88-108 MFD 330V
Volts - HZ - Ph	208-230-60-1	CrankCase Heater	
Min. Circuit Ampacity	8.8	High Pressure switch	
Max. Fuse Size	15	Low Pressure Control	
		Dual Pressure Control	84056-2
Compressor MODEL	AJA4512YXD	Contactors	
Compressor BOM	AJ137ET-193-A2	Condenser	50827
Compressor LRA	41	Water Valve	56516
Compressor RLA	7	Liquid Valve	31547-8
		Suction Valve	31585
Unit Drawing	DGU1875-6	Receiver	51081
Electrical Drawing	90999-1	Accumulator	

