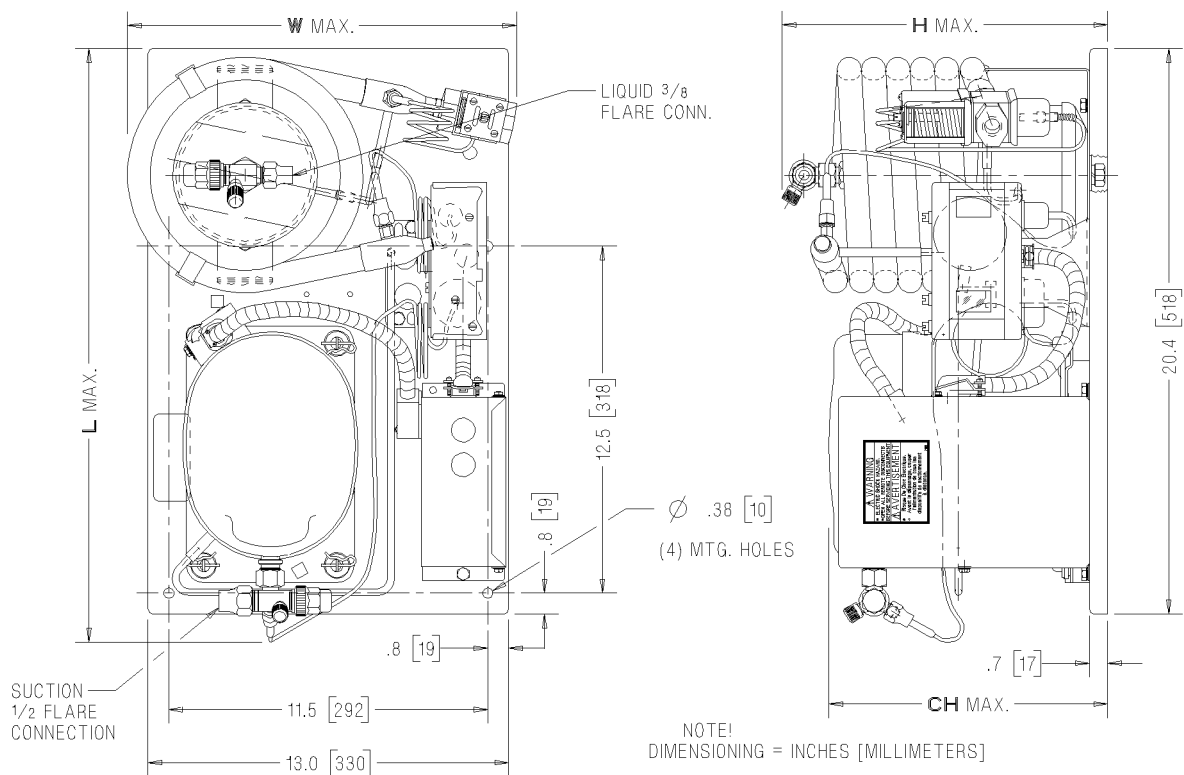
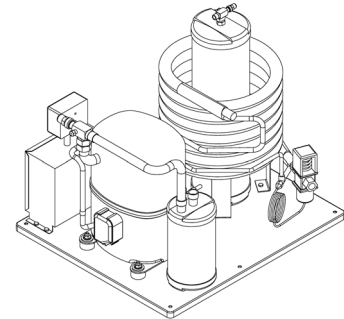




TECUMSEH HERMETIC CONDENSING UNIT

AKA4490YXAXW
TPC rev 02
October 31, 2003

Model AKA4490YXAXW
BOM 2B778-1
Water Cooled 3/4 HP
Application High Temp
Refrigerant R 134a



Model	Dimensions, inches				Line connection*		Pumdown	Oil Ch	Gr. Wt
	L	W	H	CH	Suction	Liquid	90° 90%	Oz.	Lbs.
AKA4490YXAXW	21.4	14.0	11.7	10.1	1/2"F	3/8"F	6.5	17.0	84.0
*) Use 3/8" min. pipe size. Water inlet 3/8" NPT									
Performance: Ambient 90 °F -- Return Gas 65 °F -- Condenser water in 75 °F -- Head 135 PSIG									
Evaporator temperature °F		20	25	30	40	45	50		
Capacity BTU/HR		4700	5420	6100	8000	9000	10000		
Water Usage gpm		0.35	0.48	0.60	1.00	1.20	1.40		
Watts		700	750	800	880	920	960		
The water valve should be adjusted to maintain a maximum of 95°F water outlet temperature in order to minimize water scaling within the condenser.									

Parts/Specifications			
Unit BOM	2B778-1	OverLoad	8300MRAM53
Unit MODEL	AKA4490YXAXW	Relay	82498-1
		Run Capacitor	
Refrigeration RANGE	+20F TO +55F	Run Capacitor Rating	
Design Pressure Low	150	Start Capacitor	85PS125D59
Design Pressure High	235	Start Capacitor Rating	378-440 MFD 125V
Volts - HZ - Ph	115-60-1	CrankCase Heater	
Min. Circuit Ampacity	14.1	High Pressure switch	
Max. Fuse Size	25	Low Pressure Control	
		Dual Pressure Control	84097-D
Compressor MODEL	AKA4476YXA	Contactora	
Compressor BOM	AK169AT-038-A2	Condenser	50827
Compressor LRA	58.8	Water Valve	56516
Compressor RLA	11.3	Liquid Valve	31547-8
		Suction Valve	31579-1
Unit Drawing	DGU1909-57	Receiver	51081
Electrical Drawing	90432-3	Accumulator	

