

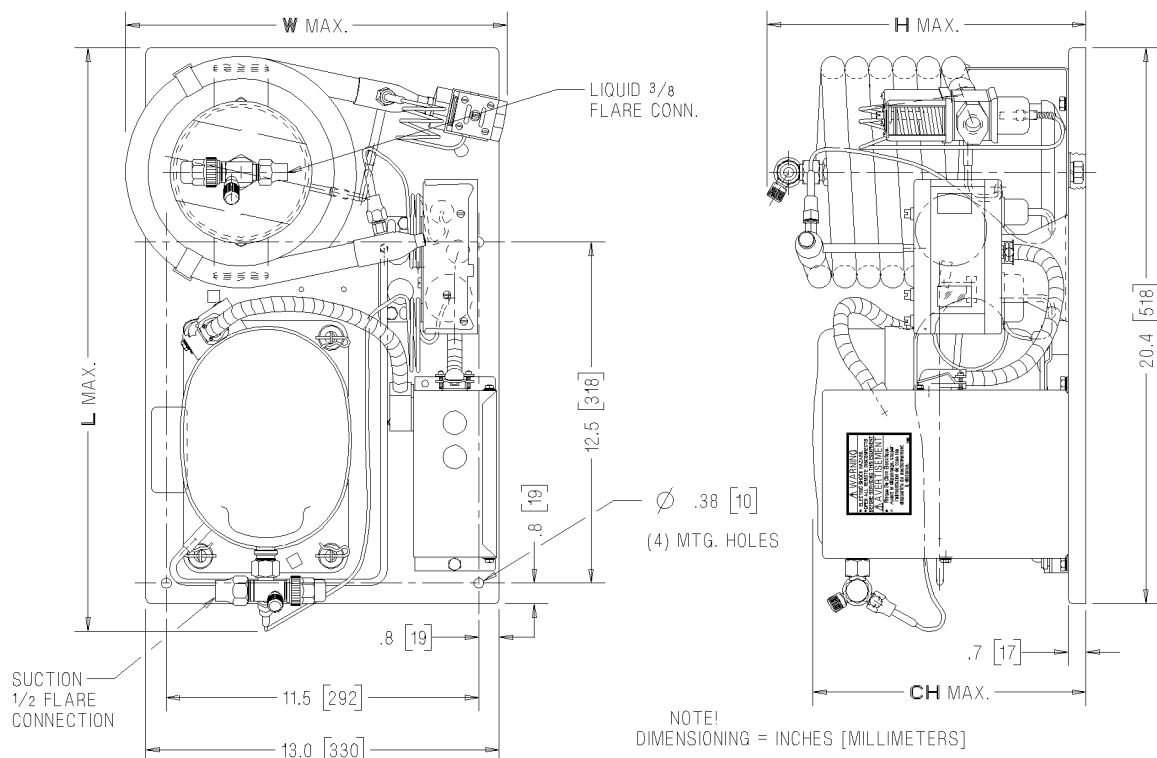
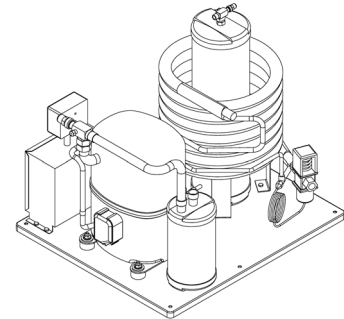


TECUMSEH HERMETIC CONDENSING UNIT

AKA4490YDXW
TPC rev 02
October 31, 2003

Model **AKA4490YDXW**
BOM **2B779-1**

Water Cooled **3/4 HP**
Application **High Temp**
Refrigerant **R 134a**



Model	Dimensions, inches				Line connection*		Pumdown	Oil Ch	Gr. Wt
	L	W	H	CH	Suction	Liquid	90° 90%	Oz.	Lbs.
AKA4490YDXW	21.4	14.0	11.7	10.1	1/2"F	3/8"F	6.5	17.0	84.0

*) Use 3/8" min. pipe size. Water inlet 3/8" NPT

Performance: Ambient 90 °F -- Return Gas 65 °F -- Condenser water in 75 °F -- Head 135 PSIG

Evaporator temperature °F	20	25	30	40	45	50
Capacity BTU/HR	4700	5420	6100	8000	9000	10000
Water Usage gpm	0.35	0.48	0.60	1.00	1.20	1.40
Watts	700	750	800	880	920	960

The water valve should be adjusted to maintain a maximum of 95°F water outlet temperature in order to minimize water scaling within the condenser.

Parts/Specifications			
Unit BOM	2B779-1	OverLoad	8300MRAG56
Unit MODEL	AKA4490YXDXW	Relay	820ARR2H18
		Run Capacitor	
Refrigeration RANGE	+20F TO +55F	Run Capacitor Rating	
Design Pressure Low	150	Start Capacitor	85PS250D10
Design Pressure High	235	Start Capacitor Rating	130-156 MFD 250V
Volts - HZ - Ph	208-230-60-1	CrankCase Heater	
Min. Circuit Ampacity	7.1	High Pressure switch	
Max. Fuse Size	15	Low Pressure Control	
		Dual Pressure Control	84056-2
Compressor MODEL	AKA4476YXD	Contactors	
Compressor BOM	AK169ET-038-A2	Condenser	50827
Compressor LRA	27.4	Water Valve	56516
Compressor RLA	5.7	Liquid Valve	31547-8
		Suction Valve	31579-1
Unit Drawing	DGU1909-57	Receiver	51081
Electrical Drawing	90432-5	Accumulator	

