

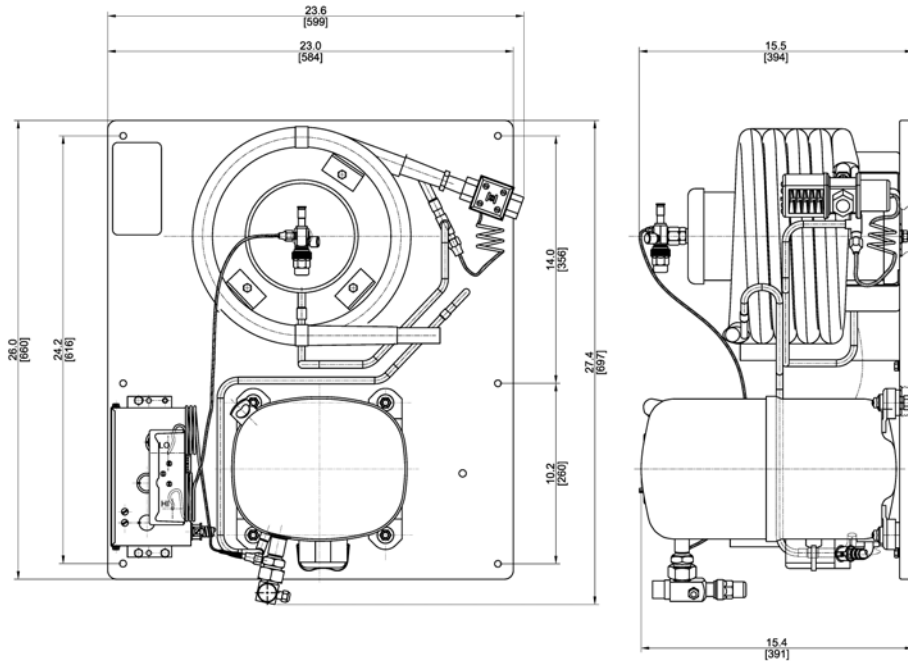
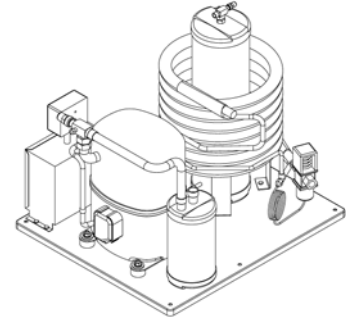


TECUMSEH HERMETIC CONDENSING UNIT

AVA4535EXTXW
TPC__rev 02
November 6, 2003

Model AVA4535EXTXW
BOM 2W3106-1

Water Cooled 3 1/2 HP
Application High Temp
Refrigerant R 22



Model	Dimensions, inches				Line connection*		Pumdown	Oil Ch	Gr. Wt
	L	W	H	CH	Suction	Liquid	90° 90%	Oz.	Lbs.
AVA4535EXTXW	27.4	23.6	15.5	15.4	7/8"S	1/2"S	14.4	55.0	134.0
*) Use 3/4" min. pipe size. Water inlet 1/2" NPT									
Performance: Ambient 95 °F -- Return Gas 40 °F -- Condenser water in 75 °F -- Head 254 PSIG									
Evaporator temperature °F		20	25	30	35	40	45		
Capacity BTU/HR		19932	23330	26727	30941	35155	39370		
Water Usage gpm		2.6	2.95	3.3	3.7	4.1	4.5		
Watts		2325	2458	2583	2700	2809	2911		
The water valve should be adjusted to maintain a maximum of 95°F water outlet temperature in order to minimize water scaling within the condenser.									

Parts/Specifications			
Unit BOM	2W3106-1	OverLoad	internal
Unit MODEL	AVA4535EXTXW	Relay	
		Run Capacitor	
Refrigeration RANGE	+20F TO +55F	Run Capacitor Rating	
Design Pressure Low	150	Start Capacitor	
Design Pressure High	450	Start Capacitor Rating	
Volts - HZ - Ph	200-230-60-3	CrankCase Heater	
Min. Circuit Ampacity	12.4	High Pressure switch	
Max. Fuse Size	20	Low Pressure Control	
		Dual Pressure Control	84097-D
Compressor MODEL	AVA5535EXT	Contactor	91014
Compressor BOM	AV123RT-027-A4	Condenser	50869
Compressor LRA	65.1	Water Valve	56516-1
Compressor RLA	9.7	Liquid Valve	31581-1
		Suction Valve	31529-1
Unit Drawing	DGU1920-14W	Receiver	51081-1
Electrical Drawing	91030-6	Accumulator	

