

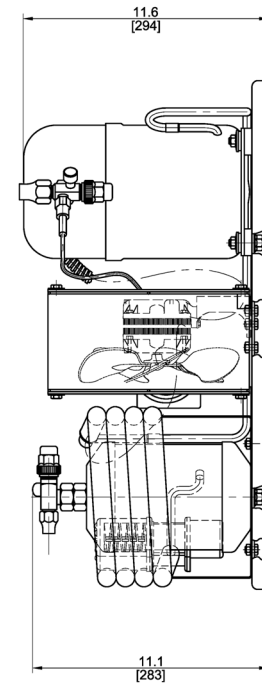
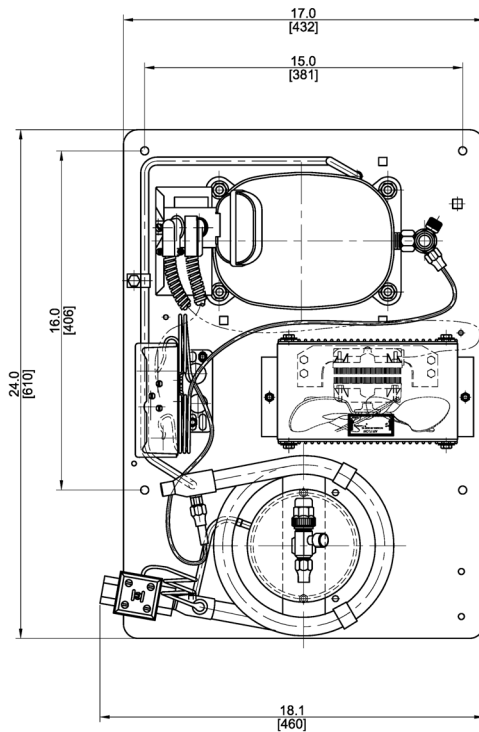
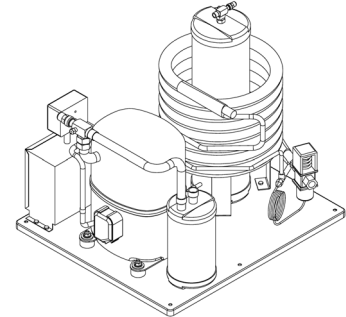


AJA2424ZXAXW
 TPC rev 02
 October 31, 2003

TECUMSEH HERMETIC CONDENSING UNIT

Model AJA2424ZXAXW
BOM 2E213-1

Water Cooled 1/2 HP
Application Low Temp
Refrigerant R 404A



Model	Dimensions, inches				Line connection*		Pumdown	Oil Ch	Gr. Wt
	L	W	H	CH	Suction	Liquid	90° 90%	Oz.	Lbs.
AJA2424ZXAXW	24.0	19.8	11.6	11.6	1/2"F	3/8"F	4.0	22.0	94.0

*) Use 3/8" min. pipe size. Water inlet 3/8" NPT

Performance: Ambient 90 °F -- Return Gas 40 °F -- Condenser water in 75 °F -- Head 226 PSIG

Evaporator temperature °F	-40	-30	-20	-10	0	10
Capacity BTU/HR	600	1100	1700	2400	3100	4000
Water Usage gpm	0.20	0.30	0.40	0.50	0.70	0.98
Watts	320	410	500	600	680	740

The water valve should be adjusted to maintain a maximum of 95°F water outlet temperature in order to minimize water scaling within the condenser.

Parts/Specifications			
Unit BOM	2E213-1	OverLoad	8300CRBL11
Unit MODEL	AJA2424ZXAXW	Relay	820ARR3B92
Refrigeration RANGE	-40F TO +10F	Run Capacitor	85PR370E36
Design Pressure Low	181	Run Capacitor Rating	15MFD 370V
Design Pressure High	450	Start Capacitor	85PS110A15
Volts - HZ - Ph	115-60-1	Start Capacitor Rating	270-324 MFD 110V
Min. Circuit Ampacity	10.7	Contactor	
Max. Fuse Size	15	High Pressure switch	
Compressor MODEL	AJA2419ZXA	Low Pressure Control	
Compressor BOM	AJ303AT-336-A2	Dual Pressure Control	84087
Compressor LRA	68	Condenser	50812
Compressor RLA	8.1	Water Valve	56516
Fan Motor	NUT6B09PUN302	Liquid Valve	31547-8
Fan Motor RLA	0.58	Suction Valve	31579-1
Unit Drawing	DGU1875-5W	Fan Blade	4VEA009
Electrical Drawing	90657-3	Receiver	51081
		Accumulator	

